



Product Brochure





> Contents

04 About REID

- 06 Around the world
- 06 Who we work with
- 08 Dedicated training
- 09 Quality & safety

10 Gantry systems

- 12 **PORTA**GANTRY
- 20 **PORTA**GANTRY Load Baring Pneumatic Castor Model
- 24 **PORTA**GANTRY **[RAPIDE]**
- 30 Winch and SRL Brackets for Gantries

32 Davit Systems

- 34 **T**DAVIT
- 40 **T**DAVIT TDT
- 44 **T**DAVIT TDVW
- 48 **PORTA**DAVIT
- 52 **PORTA**DAVIT **[QUANTUM]**
- 56 **PORTX** DAVIT
- 60 Winch and SRL Brackets for Davits

62 Bases & Sockets

- 64 **PORTA**BASE
- 78 Sockets & Extensions
- 82 Custom solutions

Making light work of **lifting** and **lowering**.

Since 1996, REID Lifting have been combining innovative design with expert engineering to create lightweight, portable, aluminium lifting systems that help our customers to achieve their operational and safety objectives efficiently and effectively.

From our headquarters in Monmouthshire, in the United Kingdom, we expertly engineer our systems through the use of lightweight aluminium as an alternative to steel, setting a precedent for innovation and successful experimentation, leading us to become one of the global pioneers in lifting technology today.

Many of our products are patented and have become the industry-standard for lifting solutions, trusted by many leading companies in more than 50 countries around the world.

Here at REID Lifting, we welcome the opportunity to work with clients to successfully meet your lifting needs from our core range of products. Should you require a special solution for a unique circumstance, we can also develop custom solutions to help meet your needs.

► Our icons explained

On each product page, these icons will help you understand more about the system, its capabilities, and limitations.



Capacity

Each system will have a capacity rating clearly stated along with its serial number for traceability. The WLL rating should NOT be exceeded under any circumstances.



People required for assembly / operation

An indicator of the people typically required to safely assemble and operate the system in normal situations within manual handling guidelines. Every lift should be supported by the relevant risk assessment and method statement prior to the activity.



Transportation weight / method

The typical total weight of each system for transportation. Weights may vary marginally. The format explains whether the system is 'bagged' or 'flat packed' for easy and safe storage, handling and transportation.



EN795 certified for personnel lifting

Fully certified temporary anchor point meeting strict requirements of EN795:2012 for protection against falls from a height and personnel lifting [as part of an EN363 compliant system].



ATEX certified

The capability of equipment to work within an explosive atmosphere. Please contact REID for further details.





➤ Around the world

We have a carefully selected network of professional and highly experienced distributors and re-sellers across the globe. We have key distributors in the following countries:

- USA
- Canada
- France
- Germany
- Switzerland
- Italy
- Sweden
- Australia

For more information about our partners and how we can to connect you for local service please email enquiries@reidlifting.com

> Who we work with

We have built an exceptional reputation for designing high-quality and resilient products for use across a diverse range of industries including;

- > Water and Wastewater
- > Oil and Gas
- > Height Safety
- > Petrochemical
- > Renewable Energy
- > Aviation
- > Automotive
- > Construction
- > Food Processing
- > And even Museums, where our products are trusted for lifting priceless pieces of art.

Our expertise knows no bounds and, as a result, our products are used far and wide in industries throughout 50 countries around the world. There are no limits to the industries we serve.



> Dedicated training

We're not just product providers. It's important to us that our products are used as effectively and safely as possible, which is why we offer training for our full range of systems.

Our training is tailored to your needs and designed to make sure everybody knows how to safely assemble and use our systems. If you would like to find more about our training sessions, contact us on training@reidlifting.com

Head to our website where you can find a range of informative resources from product assembly videos to Assembly & Operation Guides all of which are designed to support our customers in safely and effectively operating and assembling our products.

REIDLIFTING.COM





➤ Quality & Safety, Guaranteed

All of our products are rigorously tested for our customers benefit before they leave our factory in order to guarantee superior performance. REID products are built to last.

We operate an Integrated Management System certified by a UKAS accredited third party certification body to:

- ISO 9001:2015 – Quality Management System
- ISO 14001:2015 – Environmental Management System
- ISO 45001 – Health & Safety Management System



All REID products are designed by engineers with many years' experience in the lifting industry which underpins the Integrated Management System.

All products undergo thorough testing to prove functional and safety compliance. This includes working with Notified Bodies to prove compliance with National and International Standards such as EN795:2012.

REID are also proud to be a member of the Lifting Equipment Engineers Association.

Product Warranty

REID products are guaranteed for 10 years (see terms and conditions for further details)



Gantry Systems

Innovative, convenient and easy to assemble, our two Gantry systems – the **PORTAGANTRY** and **PORTAGANTRY^{RAPIDE}** – effortlessly enable safe lifting to take place in a wide range of working environments.

12 **PORTAGANTRY**

20 **PORTAGANTRY** Load Baring Pneumatic Castor Model

24 **PORTAGANTRY^{RAPIDE}**



PORTAGANTRY®



Engineered designs and bespoke sections reduce weight, providing lightweight portability

Carrying WLL of up to 5000kg for goods lifting

Ease of height adjustment with integrated ratchet

Approved for up to 5 persons for fall protection applications

Ease of assembly including height and span adjustment

Stabiliser legs for ease of transportation and stowage of the A-frame

Ergonomic 360° swivel-locking castors, as standard

This product is patented

* Visit our website for our product assembly videos to find out how easy our **PORTAGANTRY** range can be assembled in the field.

Our top quality and highly durable **PORTAGANTRY** is lightweight and extremely strong. This portable system can be manually assembled, using just four bolts and can safely lift up to 5000kg, making it the ideal system for multiple applications.

Key features

- EN795:2012 Certified
- ATEX Certified
- Can support goods and personnel lifting;
 - Goods WLL of up to 5000kg
 - Personnel WLL of up to 2500kg
- Suitable for up to 5 persons for fall protection applications
- Beams and A-Frames can be interchanged
- Ergonomic 360° swivel-locking castors, as standard
- Ease of assembly including height and span adjustment
- Anodised for increased corrosion resistance
- Engineered designs and bespoke sections reduce weight, providing lightweight portability

Configurations

The **PORTAGANTRY** is available in a range of configurations and can be customised in line with specific requirements (subject to WLL rating).

The **PORTAGANTRY** has the ability to be moved under load. (Subject to detailed instruction and supervision by a competent person).



**500-5000KG
WLL**



**1-4 PERSON
ASSEMBLY**



**92-294KG
FLAT PACK**



**EN795
CERTIFIED**



**ATEX
CERTIFIED**

➤ Features & Performance

	500	1000	2000	3000	5000
Accreditations, Certifications & Standards					
EN795:2012	✓	✓	✓	✓	✓
PD CEN / TS16415:2013	✓	✓	✓	✓	✓
ANSI Z359.18-17	✓	✓	✓	✓	✓
AS/NZS 5532:2013	✓	✓	✓	✓	✓
ATEX Certified [Zone 2]	✓	✓	✓	✓	✓
ATEX Certified [Zone 1]	Optional	Optional	Optional	Optional	✗
IRATA	✓	✓	✓	✓	✓
Capacity					
Maximum Goods Lifting [kg]	500	1000	2000	3000	5000
Maximum Personnel Lifting [kg]	250	500	1000	1500	2500
Fall Arrest [Persons]	3	3	5	5	5
Dimensions					
Minimum Height of Lift [mm]	1605	1605	1605	1660	2181
Maximum Height of Lift [mm]	5829	5829	5829	5527	5000
Minimum Available Span [mm]	2500	2500	2500	2500	2500
Maximum Available Span [mm]	9000	9000	8400	8400	5500
Trolley Options					
Standard	✓	✓	✓	✓	✓
Gated	✓	✓	✓	✓	✓
Close Coupled	✓	✓	✓	✓	✗
Gear Driven	✓	✓	✓	✗	✗
Integrated Hoist	✓	✓	✓	✗	✗
Standard Features					
Ratchet Height Adjustment	✓	✓	✓	✓	✓
Mechanical aid Assembly	✗	✗	✗	✗	✓
Optional Extras					
Lobed Cheek Plates	✓	✓	✓	✓	✓
Winch Upgrade	✓	✓	✓	✓	✓
Wind Up Jack legs	✓	✓	✓	✓	✓
Trolley Rope Control System	✓	✓	✓	✓	✓
Festoon System	✓	✓	✓	✓	✓
Jointed Beam	✓	✓	✗	✗	✗
Directional Lock Castors	✓	✓	✓	✓	✓
Shackled Cheek Plates	✓	✓	✓	✓	✓
Finishes					
Anodised	✓	✓	✓	✓	✓
316SS Fixings	Optional	Optional	Optional	Optional	Optional
Marine Spec	Optional	Optional	Optional	Optional	✗

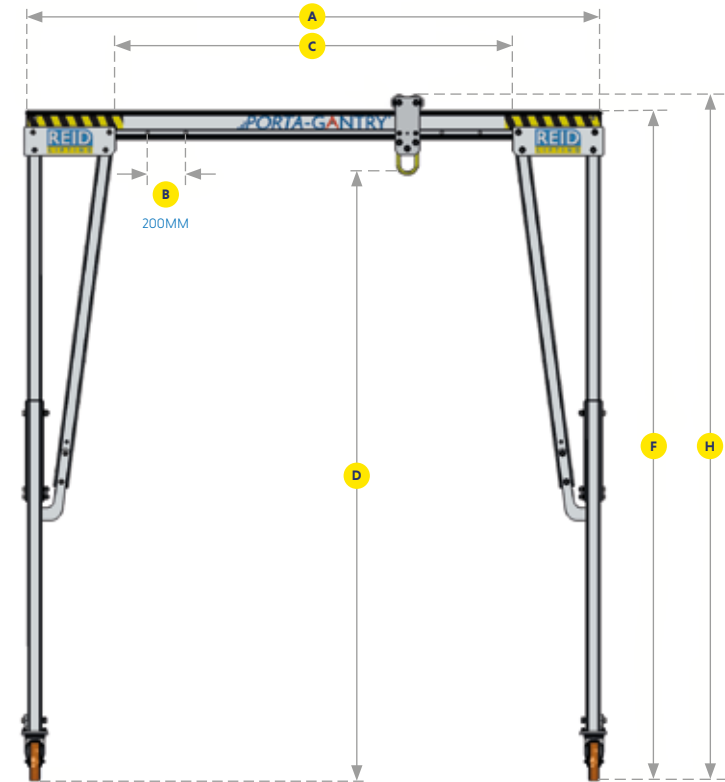
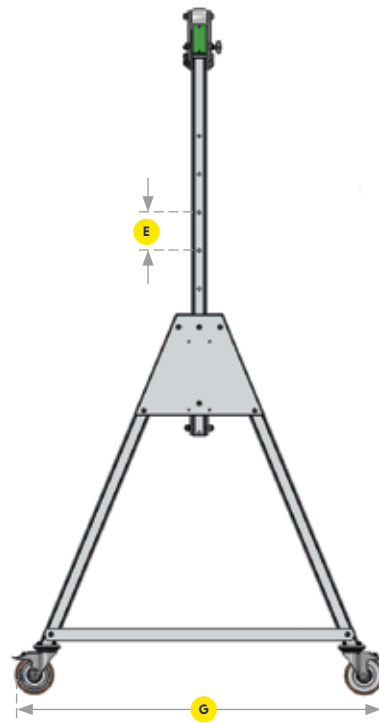
Dimensions in the table are approximate values. For more accurate details please refer to the Dimension Table.

All line items marked with a '✓' come as standard. All line items marked with a '✗' are not available.

All line items marked with 'optional' are available as an option and may incur additional costs.

PORTAGANTRY® 500-5000

- A** Beam length
- B** Beam adjustment
- C** Clear operating span
- D** Height to lifting eye
- E** Height increment
- F** Height to top of beam
- G** Width
- H** Height to top of roller



Standard Beam Dimensions

A [mm]	2500	3000	3920	4570	5500	6000	8400	9000
Cmin [mm]	1180	1680	2200	2050	2980	3480	5880	6480
Cmax [mm]	1580	2080	3000	3650	4580	5080	7480	8080

Weight of Beam [kg]

WLL	500kg	1000kg	2000kg	3000kg	5000kg	19	22	29	34	41	44	62	66
						19	22	29	34	41	44	79	84
						19	22	29	34	52	93*	130*	x
						19	22	37	43	85*	93*	130*	x
						39*	47*	61*	71*	85*	x	x	x

! To ensure stability of the structure, the operating span of the beam must be equal to or greater than the distance between the castors on the A-frame

Clear operating span for A and B section beams is **C = A - 920mm**.
*Clear operating span for D section beams is **C = A - 910mm**.

Gantry Dimensions [mm]

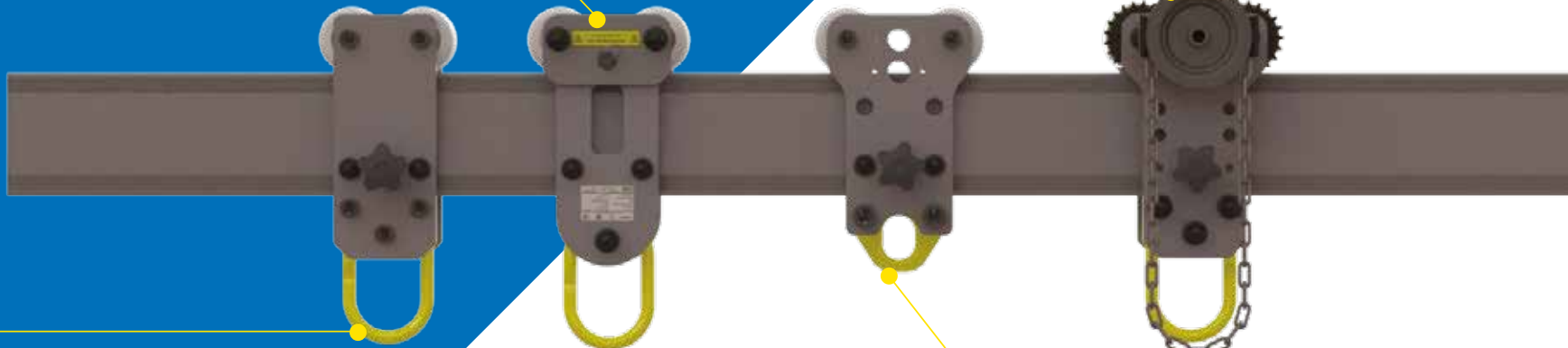
WLL [kg]	Frame size [Product Code]	DMax	E	DMin	FMax	HMax	HMin	G	A-Frame weight (kg) (approx)	Trolley roller size	Castor Diam
		Height to lifting eye	Height increment	Height to lifting eye	Height to top of beam	Height to top of roller	Height to top of roller	Width			
500kg	PGAS00500S	2345	5 x 150	1595	2675	2757	2007	1212	32	82	150
	PGAS00500M	2841	5 x 150	2091	3171	3253	2503	1429	42	82	150
	PGAS00500I	3178	5 x 200	2178	3499	3581	2581	1726	50	82	200
	PGAS00500T	4069	6 x 200	2869	4399	4481	3281	2011	56	82	200
	PGAS00500TC4	4517	6 x 200	3317	4847	4930	3730	2234	86	82	200
	PGAS00500TC3	5017	6 x 200	3817	5347	5430	4230	2557	91	82	200
	PGAS00500TC2	5517	8 x 200	3917	5848	5930	4330	2733	97	82	200
PGAS00500TC1	5819	9 x 200	4019	6149	6231	4431	2733	102	82	200	
1000kg	PGAS01000S	2345	5 x 150	1595	2675	2757	2007	1212	32	82	150
	PGAS01000M	2841	5 x 150	2091	3171	3253	2503	1429	42	82	150
	PGAS01000I	3178	5 x 200	2178	3499	3581	2581	1726	50	82	200
	PGAS01000T	4069	6 x 200	2869	4399	4481	3281	2011	56	82	200
	PGAS01000TC4	4517	6 x 200	3317	4847	4930	3730	2234	86	82	200
	PGAS01000TC3	5017	6 x 200	3817	5347	5430	4230	2557	91	82	200
	PGAS01000TC2	5517	8 x 200	3917	5848	5930	4330	2733	97	82	200
PGAS01000TC1	5819	9 x 200	4019	6149	6231	4431	2733	102	82	200	
2000kg	PGAS02000S	2345	5 x 150	1595	2675	2757	2007	1212	35	82	150
	PGAS02000M	2841	5 x 150	2091	3171	3253	2503	1429	42	82	150
	PGAS02000I	3178	5 x 200	2178	3499	3581	2581	1726	50	82	200
	PGAS02000T	4069	6 x 200	2869	4399	4481	3281	2011	56	82	200
	PGAS02000TC4	4517	6 x 200	3317	4847	4930	3730	2234	86	82	200
	PGAS02000TC3	5017	6 x 200	3817	5347	5430	4230	2557	91	82	200
	PGAS02000TC2	5517	8 x 200	3917	5848	5930	4330	2733	97	82	200
PGAS02000TC1	5819	9 x 200	4019	6149	6231	4431	2733	102	82	200	
3000kg	PGAS03000S	2400	5 x 150	1650	2730	2812	2062	1212	56	82	200
	PGAS03000M	2896	5 x 150	2146	3226	3308	2558	1429	61	82	200
	PGAS03000I	3178	5 x 200	2178	3499	3581	2581	1726	73	82	200
	PGAS03000T	4069	6 x 200	2869	4399	4481	3281	2021	85	82	200
	PGAS03000TC4	4517	6 x 200	3317	4847	4930	3730	2234	86	82	200
	PGAS03000TC3	5017	6 x 200	3817	5347	5430	4230	2557	91	82	200
	PGAS03000TC2	5517	8 x 200	3917	5848	5930	4330	2733	97	82	200
5000kg	PGAS05000IR	3181	5 x 200	2181	3592	3717	2717	1736	99*	125	200
	PGAS05000TR	4049	6 x 200	2849	4487	4612	3412	2021	109*	125	200
	PGAS05000TC4R	4500	6 x 200	3300	4938	5062	3862	2234	96	125	200
	PGAS05000TC3R	5000	6 x 200	3800	5438	5562	4362	2557	101	125	200

S & M versions also available as custom systems | WLL 5000kg dimensions systems are shown using the deeper 'D' section beam
 Dimensions use standard Master Link Trolley, other options available to increase resulting height of lift (HoL) and to assist with load movement. *Weight includes stabiliser legs.

▶ PORTAGANTRY Trolley Options

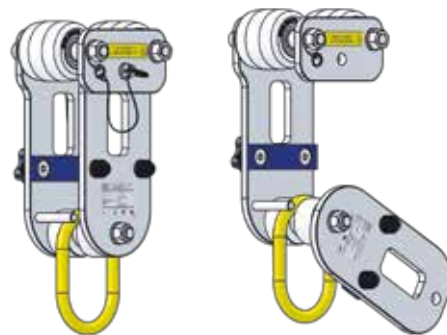
▶ Gated Trolley [Patented]

Our Gated Trolley is expertly designed to incorporate a rotating plate and quick release pin for easy and rapid attachment to the beam. This unique and innovative product enables multiple trolleys to be attached to beam after the Gantry has been fully assembled and can also be locked in position on the beam.



▶ Master Link Trolley

The Master Link trolley is fed on to the end of the beam during the assembly of the Gantry. The master link enables a wide range of hoists to be easily attached for lifting operations. The trolley can also be locked in position on the beam.



▶ Gear Driven Trolley

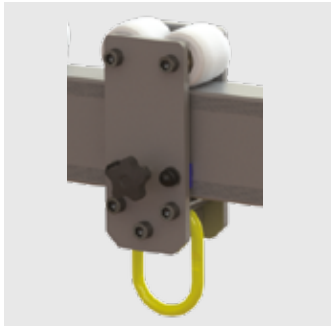
The Gear Driven Trolley is fed on to the end of the beam during the assembly of the Gantry. It is designed to enable a load up to 2000kg to be moved safely along the beam in a controlled manner once lifted. Different chain lengths are available.

▶ Closed Coupled Trolley

Our Closed Coupled Trolley is designed for use where there is a height restriction that requires an incremental increase in the height of lift. The Closed Coupled Trolley is fed on to the beam during the assembly of the Gantry. This trolley can accommodate a wide range of hoists due to its large oval opening and can be locked into position on the beam.

* The Gated Trolley is tested to and meets the requirements of EN795.2012 and IRATA ICOP for fall protection applications. Each trolley is rated 2500kg for this purpose.

> Master Link Trolley



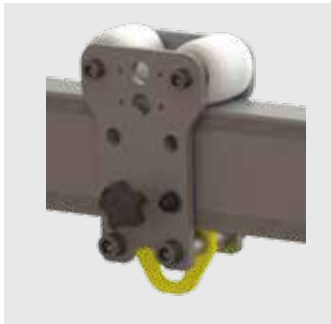
Product Code	Description
PGTZO0500	Master Link Trolley rated up to 500kg to Fit A or B Size Beam
PGTZO1000	Master Link Trolley rated up to 1000kg to Fit A or B Size Beam
PGTZO2000	Master Link Trolley rated up to 2000kg to Fit A or B Size Beam
PGTZO3000	Master Link Trolley rated up to 3000kg to Fit A or B Size Beam
PGTZL02000	Master Link Trolley rated up to 2000kg to Fit D Size Beam
PGTZL03000	Master Link Trolley rated up to 3000kg to Fit D Size Beam
PGTZL05000	Master Link Trolley rated up to 5000kg to Fit D Size Beam

> Gated Trolley



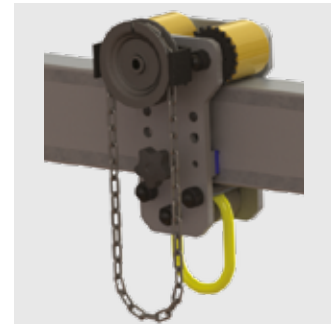
Product Code	Description
PGTGS00500	Gated Master link Trolley rated up to 500kg to Fit A or B Size Beam
PGTGS01000	Gated Master link Trolley rated up to 1000kg to Fit A or B Size Beam
PGTGS02000	Gated Master link Trolley rated up to 2000kg to Fit A or B Size Beam
PGTGS03000	Gated Master link Trolley rated up to 3000kg to Fit A or B Size Beam

> Closed Coupled Trolley



Product Code	Description
PGTXS02000V2	Close Coupled Trolley rated up to 2000kg to Fit A or B Size Beam
PGTXS03000V2	Close Coupled Trolley rated up to 3000kg to Fit A or B Size Beam
PGTXL03000V2	Close Coupled Trolley rated up to 3000kg to Fit D Size Beam
PGTXL05000V2	Close Coupled Trolley rated up to 5000kg to Fit D Size Beam

> Gear Driven Trolley



Product Code	Description
PGTYS00500	Gear Driven Trolley rated up to 500kg to Fit A or B Size Beam
PGTYS01000	Gear Driven Trolley rated up to 1000kg to Fit A or B Size Beam
PGTYL02000	Gear Driven Trolley rated up to 2000kg to Fit D Size Beam

* We offer a range of Geared and Integrated Hoist trollies for more information contact your REID representative.



> Gantry Assembly Aid

The Gantry Assembly Aid has been designed to aid in the ease of erecting and dismantling our **PORTAGANTRY** systems. It is ideally suited to our intermediate and above-height gantries. The Assembly Aid reduces installation time, as well as manual handling requirements.

Product Code	Description
RAPG000200	Assembly Aid Only
RAPG000200 RAPG000201	Snap Hook Strop Kit for Intermediate and Tall Gantry Systems Assembly Aid
RAPG000200 RAPG000202	Snap Hook Strop Kit for TC4 and TC3 Gantry Systems Assembly Aid
RAPG000200 RAPG000203	Snap Hook Strop Kit for TC2 and TC1 Gantry Systems Assembly Aid
RAPG000203	Bag for Assembly Aid Kit



> Directional Lock Castors

Our Directional Lock Castors allow for our swivel castors to be made into a fixed castor temporarily - by locking the swivel head but not the wheel which means the castor moves in one direction. Directional locking castors are great for cornering or pivoting.

Product Code	Description
RSCA000008	Porta Gantry Directional Lock Castors - up to 3000kg [Set of 1]
RSCA000010	Porta Gantry Directional Lock Castors - up to 5000kg [Set of 1]



> Trolley Rope Control System

Our Rope Control System allows precise control over the movement of the load trolley from a safe location next to the A-frame. By utilising a series of sheaves and a winch a mechanical advantage is added to the system reducing the effort during operations. This system not only adds a method of controlled movement of the load but also removes the need to manually handle the lifted load increasing the safety of the system.

Product Code	Description
PGRC00001	Rope Control System for use with PG Small with A or B section beam
PGRC00002	Rope Control System for use with PG Small with D section beam
PGRC00003	Rope Control System for use with PG Intermediate with A or B section beam
PGRC00004	Rope Control System for use with PG Intermediate with D section beam
PGRC00005	Rope Control System for use with PG Tall with A or B section beam
PGRC00006	Rope Control System for use with PG Tall with D section beam



> Wind-up Jack Legs

Our Wind-up Jack Legs offer infinite additional height adjustment up to 250mm. The Wind-up Jack Legs offer independent adjustment for use as a levelling system on uneven ground. The Jack Leg retracts beyond the base of the castors and so does not restrict the movement of the system.

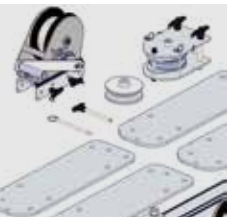
Product Code	Description
PGWS00001U	Porta Gantry Universal Wind Up Jack Leg WLL5000kg Set of 4
PGWS00002U	Porta Gantry Universal Wind Up Jack Leg S&M up to 2000kg Set of 4



> Shackled Cheek Plates

The shackled cheek plate has an integrated shackle pull point which allows for the attachment of a mechanical aid such as a chain hoist to control the movement of a loaded trolley along the beam. By utilising a chain hoist to connect the trolley to the shackle the effort required to move a load during a lifting operation will be significantly reduced. This enables controlled movement of a load and ensures gantry stability when traversing a load along a beam.

Product Code	Description
RAPG000109	Porta Gantry Cheek Plate & Shackle Pull Point Kit



> Winch Conversion Kit

Our Winch Conversion Kit enables the **PORTAGANTRY** to be used with a wide range of winches or SRLs suitable for goods or personnel lifting. The kit comes with new cheek plates and a winch mounting column to allow for our gantry beams to be prepared to accept a sheave carrier and A-frames a wide range of winches.

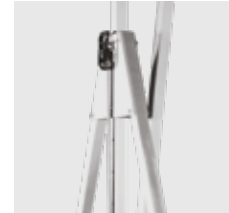
Product Code	Description
RAPG000077	Porta Gantry A-frame Conversion Winch Ready Kit



> Festoon System

Our Festoon System has been designed to keep electric hoist power cords safely away from lifting operations and stored neatly along the gantry beam. The Universal Festoon Kit includes all the required components including; trolleys, wire rope and fasteners. By then adding the power cable the system is ready for use.

Product Code	Description
RAPG000004	Porta Gantry Festoon System and Brackets only [Advise Beam Length]



> Ratchet Height Adjustment

Our Ratchet Height Adjustment provides a mechanical aid for raising and lowering the height of the Gantry beam. The Ratchet Height Adjustment comes as a standard features on a range of A-frames and can be added as a feature on our entire **PORTAGANTRY** product range. See details in dimensions table.

Product Code	Description
RSPG000002	Porta Gantry Tall Ratchet Kit
RSPG000026	Porta Gantry Intermediate Ratchet Kit



> Lobed Cheek Plates

Our Lobed Cheek Plates allow for ease of assembly when adjusting the operating span of the **PORTAGANTRY** system. The modified cheek plates allows the clear operating span to be adjusted by moving one frame in, whilst still allowing the standard assembly methods to be observed.

Product Code	Description
RSPG000035	Porta Gantry Lobed Cheek Plate up to 5000kg [Each]

PORTAGANTRY®

Load Bearing Pneumatic Castor Model

Integrated shackled
Cheek Plates for lateral
load traversal

Easy height adjustment with
integrated ratchet system

Air-filled tyres with directional
lock and integrated brakes

Swivel castor assembly legs
for easy scissor assembly

Integrated assembly
aid shackle points



**Specified for
rough terrain**

This product is patented

Our **PORTAGANTRY**[®] featuring load bearing Pneumatic Castors with air filled tyres offers a quality solution for customers that need to set up and locate their lifting solution on rough terrain, or on roof tops where a standard castor may otherwise cause damage to the surface material. Additionally, the gantry permits movement under load in many scenarios which is made possible by high quality directional locking castors and overall robust gantry design.

Key features

- Directional locking dual wheel castors with integrated brakes
- Tyres are air filled
- Integrated lifting points and wheel on the frames to support safe raise and lower of the gantry with mechanical advantage
- Integrated shackled cheek plates to enable safe load traversing along the beam
- Integrated ratchet raise and lower system for height adjustment
- Height adjustments at 100mm (4") increments
- Beam adjustment points to enable adjustment of the span to suit site conditions
- Ability to be able to interchange frames for maximum utilisation and freedom to achieve even the most challenging of lifting tasks

Configurations

The **PORTAGANTRY**[™] featuring load bearing Pneumatic Castors is available in a range of configurations and can be customised in line with specific requirements (subject to WLL rating).

The **PORTAGANTRY**[™] featuring load bearing Pneumatic Castors has the ability to be moved under load. (Subject to detailed instruction and supervision by a competent person).



**2000-3000KG
WLL**



**1-4 PERSON
ASSEMBLY**



**92-294KG
FLAT PACK**

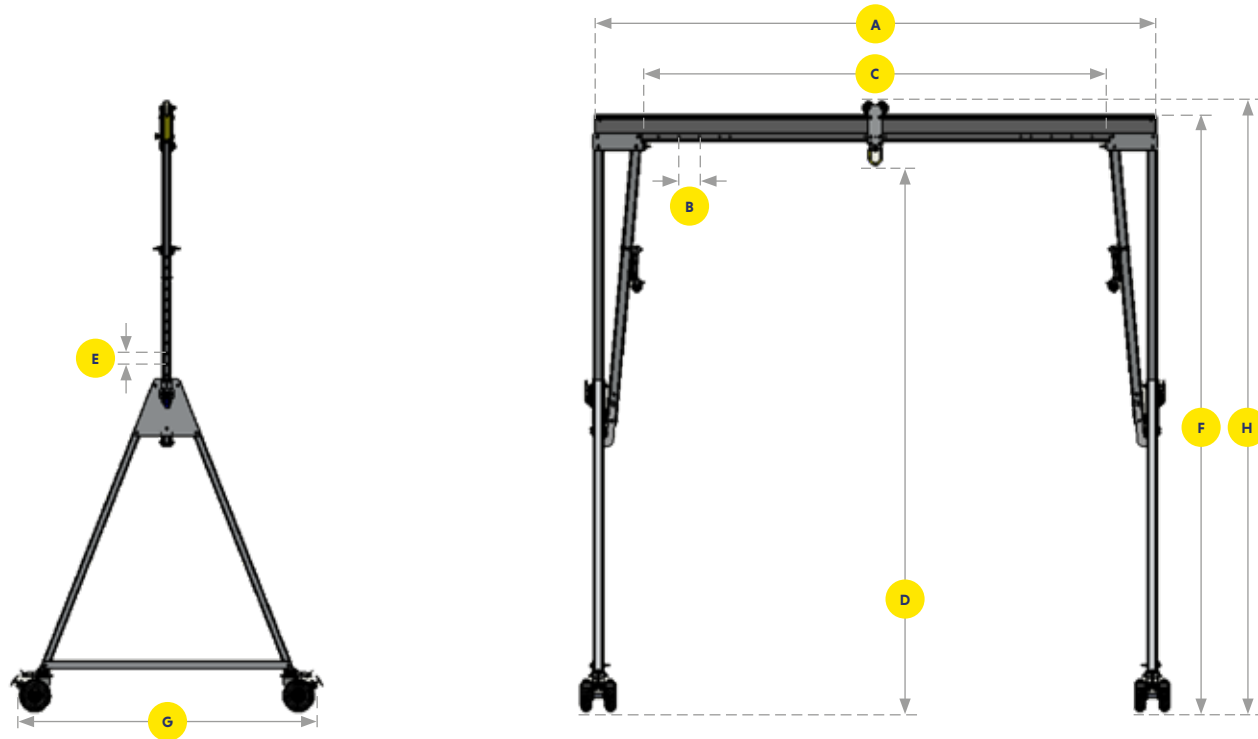
The above features are incorporated in order to ensure maximum utilisation potential of this hybrid gantry solution and therefore maximise return on investment for the user. The gantry will not be rated as a fall protection product and is for material lifting only. For this reason castors cannot be retro-fitted to existing gantry frames.

➤ Features & Performance

	2000	3000
Capacity		
Maximum Goods Lifting [kg]	2000	3000
Dimensions		
Minimum Height of Lift [mm]	2307	2307
Maximum Height of Lift [mm]	5916	5648
Minimum working Span [mm]	2090	2090
Maximum working Span [mm]	7370	7370
Trolley Options		
Standard	✓	✓
Gated	✓	✓
Close Coupled	✓	✓
Integrated Hoist	✓	✗
Standard Features		
Ratchet Height Adjustment	✓	✓
Mechanical aid Assembly	✓	✓
Shackled cheek plate	✓	✓
Additional height adjustment	✓	✓
Finishes		
Anodised	✓	✓
316SS Fixings	Optional	Optional

Dimensions in the table are approximate values. For more accurate details please refer to the Dimension Table. All line items marked with a '✓' come as standard. All line items marked with a '✗' are not available. All line items marked with 'optional' are available as an option and may incur additional costs.

- A** Beam length
- B** Beam adjustment
- C** Clear operating span
- D** Height to lifting eye
- E** Height increment
- F** Height to top of beam
- G** Width
- H** Height to top of roller



Standard Beam Dimensions

A [mm]	3000	3920	4570	5500	6000	8400
C _{min} [mm]	1570	2090	1940	2870	3370	5770
C _{max} [mm]	1970	2890	3540	4470	4970	7370

Weight of Beams [kg]

WLL [kg]	2000	3000	4000	5000	6000	8000
2000	22	29	34	52	93	130
3000	22	37	43	85	93	130

! To ensure stability of the structure, the operating span of the beam must be equal to or greater than the distance between the castors on the A-frame

Clear operating span for A and B section beams is **C = A - 920mm**.
*Clear operating span for D section beams is **C = A - 910mm**.

Frame Dimensions [mm]

Frame size [Product Code]	D _{max}	E	D _{min}	F _{max}	H _{max}	H _{min}	G	A frame weight (KG)	Trolley roller size	Castor dimension
	Height to lifting eye	Height increment	Height to lifting eye	Height to top of the beam	Height to top of the roller	Height to top of the roller	Width			
PGAS02000I-PN	3307	10 x 100	2307	3637	3719	2719	2032	94	82	315
PGAS02000TC1-PN	5916	18 x 100	4116	6278	6360	4560	3027	146	82	315
PGAS02000TC3-PN	5113	12 x 100	3913	5476	5558	4358	2851	135	82	315
PGAS02000T-PN	4198	12 x 100	2998	4528	4610	3410	2317	100	82	315
PGAS03000I-PN	3307	12 x 100	2307	3637	3719	2719	2032	117	82	315
PGAS03000TC2-PN	5648	16 x 100	4048	5978	6060	4460	3027	141	82	315
PGAS03000TC3-PN	5113	12 x 100	3913	5476	5558	4358	2851	135	82	315
PGAS03000T-PN	4198	12 x 100	2998	4525	4607	3407	2315	129	82	315

Dimensions use standard Master Link Trolley, other options available to increase resulting height of lift (HoL) and to assist with load movement.

Key Features



Pneumatic Castors with air filled tyres and swivel lock



Integrated shackled cheek plates



100mm ratchet height adjustment



Integrated assembly assist

PORTAGANTRY RAPIDE®

Integrated wheel design that folds with the frame for ease of transportation

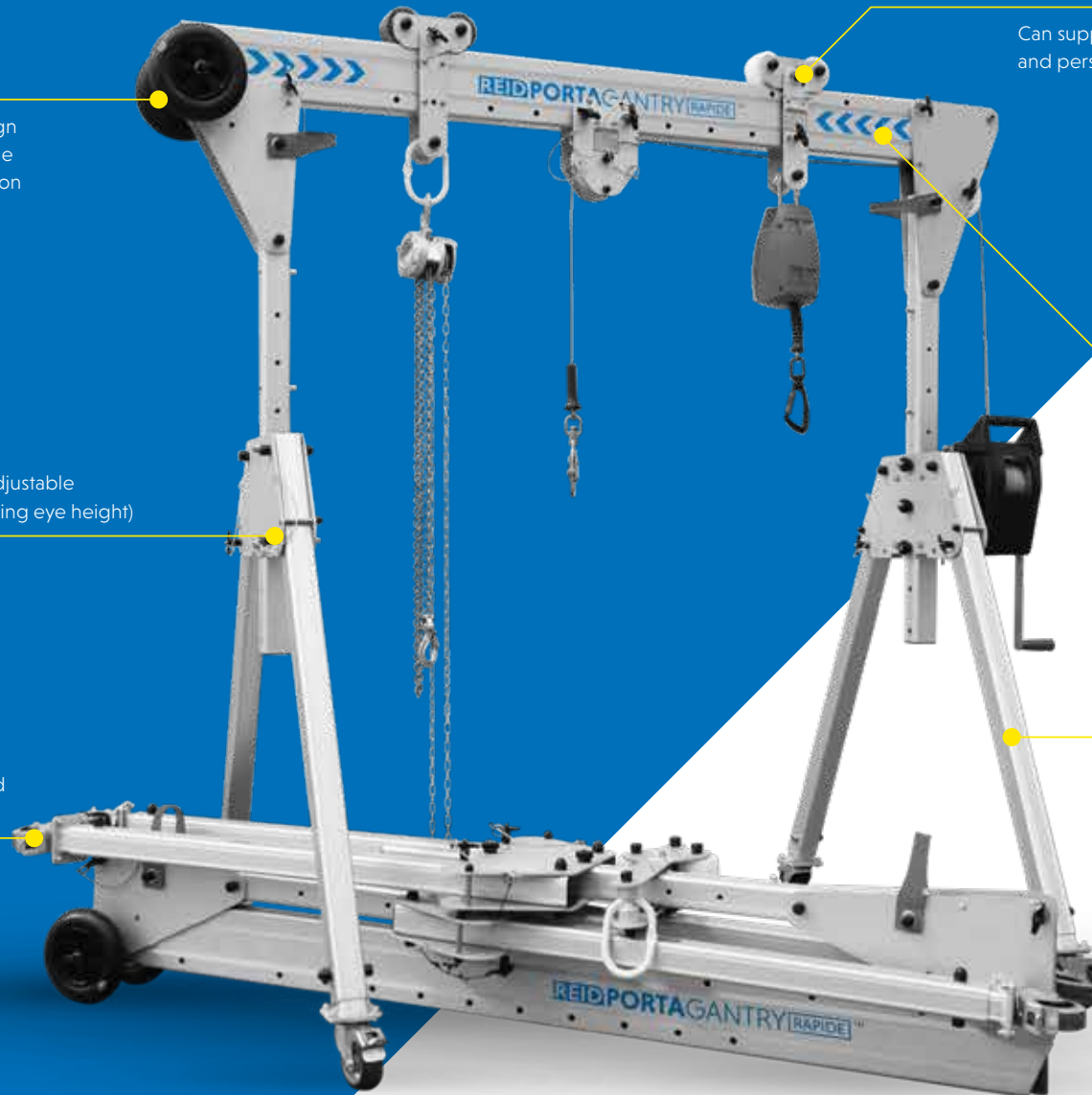
Available in 3 height-adjustable versions (up to 2.9m lifting eye height)

Anodised for increased corrosion resistance

Can support goods and personnel lifting

Can accommodate a range of beam lengths up to 4 metres

Engineered designs and bespoke sections reduce weight, providing lightweight portability



This product is patented

* Visit our website for our product assembly videos to find out how easy our PORTAGANTRY RAPIDE® range can be assembled in the field.

Our unique and innovative **PORTAGANTRY^{RAPIDE}** is a height-adjustable, foldable aluminium gantry designed for rapid deployment. Capable of an impressive WLL of up to 1000kg. This system can be assembled and disassembled by just one person within a minute without the need for any tools. The **PORTAGANTRY^{RAPIDE}** is the perfect solution for confined space access scenarios due to its unique features and ability to lift equipment and personnel.

Key features

- EN795:2012 Certified
- ATEX Certified
- Can support goods and personnel lifting;
 - Goods WLL of up to 1000kg
 - Personnel WLL of up to 500kg
- Suitable for up to 3 persons for fall protection applications
- Integrated wheel design that folds with the frame for ease of transportation
- Available in 3 height-adjustable versions (up to 2.9m to the lifting eye)
- Can accommodate a range of beam lengths up to 4m
- Anodised for increased corrosion resistance
- Engineered designs and bespoke sections reduce weight, providing lightweight portability

Configurations

The **PORTAGANTRY^{RAPIDE}** is available in a range of configurations and can be customised in line with specific requirements (subject to WLL rating).



**250-1000KG
WLL**



**1-2 PERSON
ASSEMBLY**



**37-69KG
COMPACT
STORAGE**



**EN795
CERTIFIED**



**ATEX
CERTIFIED**

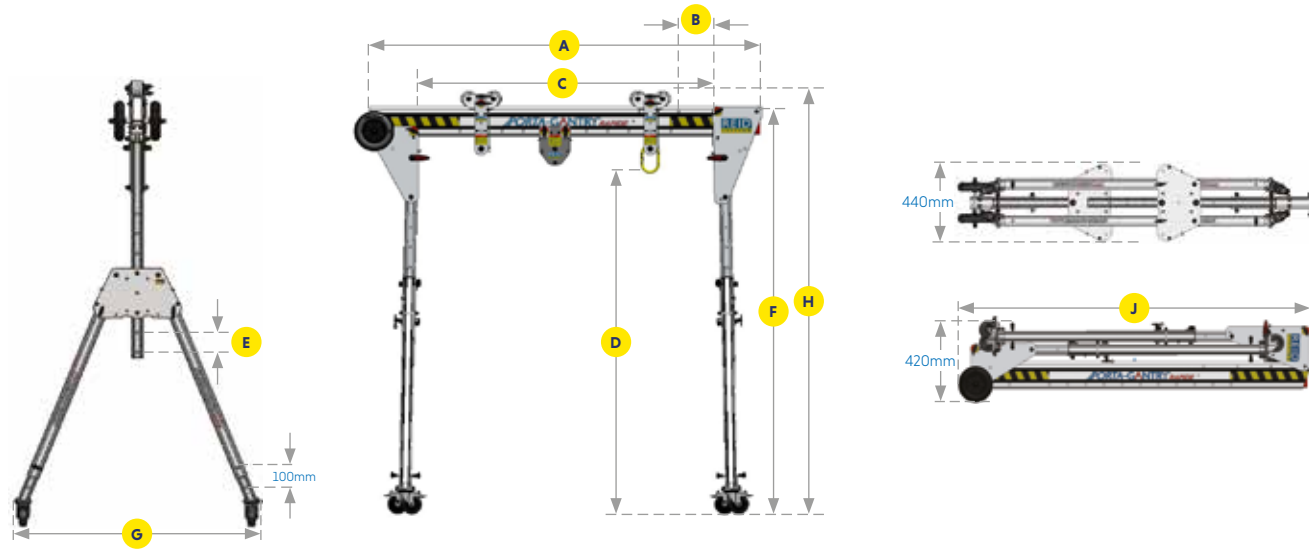
➤ Features & Performance

	PGR500	PGR1000
Accreditations, Certifications & Standards		
EN795:2012	✓	✓
PD CEN / TS16415:2013	✓	✓
ANSI Z359.18-17	✓	✓
AS/NZS 5532:2013	✓	✓
ATEX Certified [Zone 2]	✓	✓
ATEX Certified [Zone 1]	x	Optional
IRATA	✓	✓
Capacity		
Maximum Goods Lifting [kg]	500	1000
Maximum Personnel Lifting [kg]	250	500
Fall Arrest [Persons]	3	3
Dimensions		
Minimum Height of Lift (HOL) [mm]	1450	1430
Maximum Height of Lift (HOL) [mm]	2920	2880
Beam Options		
2.0m	✓	✓
2.3m	✓	x
3.0m	x	✓
4.0m	✓	✓
Trolley Options		
Master Link	✓	✓
Close Coupled	✓	✓
Sheave Carrier	✓	✓
Features		
Winch Capable	✓	✓
Foot adjustment [100mm]	✓	✓
Foldable	✓	✓
Transport Wheel	✓	✓
Assembly < 60sec	✓	✓
Finishes		
Anodised	✓	✓
Marine Spec	Optional	Optional

Dimensions in the table are approximate values. For more accurate details please refer to the Dimension Table.
All line items marked with a '✓' come as standard. All line items marked with a 'x' are not available.
All line items marked with 'optional' are available as an option and may incur additional costs.

PORTAGANTRY RAPIDE® 250-500

- A** Beam length
- B** Beam adjustment
- C** Clear operating span
- D** Height to lifting eye
- E** Height increment
- F** Height to top of beam
- G** Width
- H** Height to top of roller
- J** Folding dimensions



Dimensions [mm]

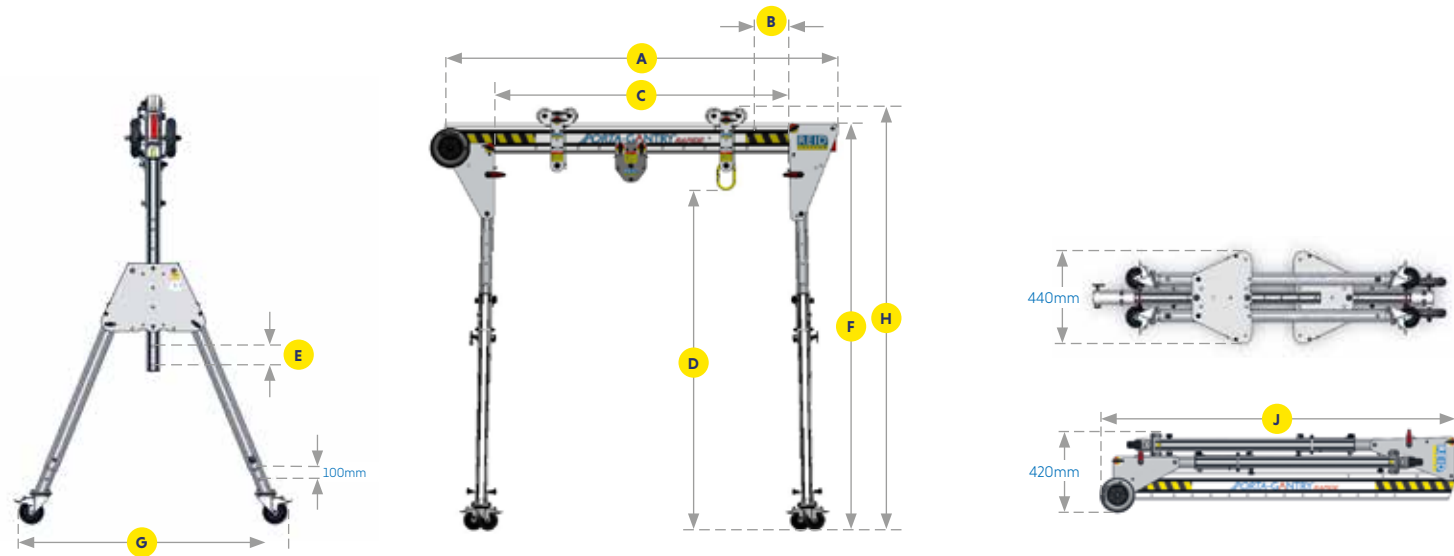
WLL

Product Code	A Beam Length	B Beam Adjustment	CMin Clear Operating Span	CMax Clear Operating Span	DMin Height to lifting eye	DMax Height to lifting eye	E Height increment	FMin Height to top of beam	FMax Height to top of beam	G Width	HMin Height to top of roller	HMax Height to top of roller	J Folding dimensions	Unit Weight*** [kg]	Goods Capacity [kg]	Fall Arrest Capacity**	Personnel Positioning** [kg]
PGRS20	2000	2 x 200	1100	1500	1445	2045	6 x 100	1776	2376	1158	1856	2456	2080	37	500	3	250
PGRS23	2300	3 x 200	1200	1800									2380	38	400	2	200
PGRS40	4000	3 x 200	2900	3500									4080	43	250	1	125
PGRM20	2000	2 x 200	1100	1500	1449	2149	7 x 100	1780	2480	1215	1860	2560	2080	38	400	2	200
PGRM23	2300	3 x 200	1200	1800									2380	38			
PGRM40	4000	3 x 200	2900	3500									4080	44			
PGRT20*	2000	2 x 200	665	1065	1923	2923	10 x 100	2254	3254	1586	2334	3334	2645	42	250	1	125
PGRT23*	2300	3 x 200	765	1365									2380	43			
PGRT40*	4000	3 x 200	2465	3065									4080	48			

*Trolley stops fitted to beam **Ratings using European standards. Contact REID for other standards. *** Weight includes castor inserts.

PORTA GANTRY RAPIDE® 1000

- A** Beam length
- B** Beam adjustment
- C** Clear operating span
- D** Height to lifting eye
- E** Height increment
- F** Height to top of beam
- G** Width
- H** Height to top of roller
- J** Folding dimensions



Dimensions [mm]

WLL

Product Code	A Beam Length	B Beam Adjustment	CMin Clear Operating Span	CMax Clear Operating Span	DMin Height to lifting eye	DMax Height to lifting eye	E Height increment	FMin Height to top of beam	FMax Height to top of beam	G Width	HMin Height to top of roller	HMax Height to top of roller	J Folding dimensions	Unit Weight*** [kg]	Goods Capacity [kg]	Fall Arrest Capacity**	Personnel Positioning** [kg]
PGR1TS20	2000	2 x 200	1102	1502	1496	1996	5 x 100	1822	2322	1270	1904	2404	2077	52	1000	3	500
PGR1TS30	3000	3 x 200	1902	2502									3077	57	1000	3	500
PGR1TS40	4000	3 x 200	2902	3502									4077	61	1000	3	500
PGR1TM20	2000	2 x 200	1102	1502	1735	2435	7 x 100	2061	2761	1484	2143	2843	2200	56	1000	3	500
PGR1TM30	3000	3 x 200	1902	2502									3077	60	1000	3	500
PGR1TM40	4000	3 x 200	2902	3502									4077	65	1000	3	500
PGR1TT20*	2000	2 x 200	665	1065	1975	2875	9 x 100	2301	3201	1698	2383	3283	2830	60	1000	3	500
PGR1TT30*	3000	3 x 200	1465	2065									3077	64	1000	3	500
PGR1TT40*	4000	3 x 200	2465	3065									4077	69	1000	3	500

*Trolley stops fitted to beam. **Ratings using European standards. Contact REID for other standards. *** Weight includes castor inserts.

▶ PORTAGANTRY RAPIDE® Accessories

▶ Sheave Carrier

Sheave carriers enable the use of winches or retrieval fall arrest devices with the PORTAGANTRY RAPIDE®. They are detachable and can incorporate either one or two pulley wheels to act as guides for cables or ropes.

▶ Master Link Trolley

Our Gated [patent pending] Master Link Trolley can be used when additional headroom or clearance is not an issue and the convenience of a large opening for the attachment of various hoists is preferred. This innovative product enables multiple trolleys to be attached to the beam after the system has been fully assembled and can also be locked in position on the beam.

▶ Close Coupled Trolley

Our Gated [patent pending] Close Coupled Trolley can be used when additional headroom or clearance is needed below the beam. This trolley can be attached to the beam after the system has been fully assembled.

▶ Sheave

Sheaves can be retroactively fitted to the PORTAGANTRY RAPIDE® enabling winches or retrieval fall arrest devices to be attached to the trap plate of vertical column.

▶ Winch Bracket

Winch brackets can be attached to the trap plates. REID offers a wide range of winch brackets for common goods and personnel winches and retrieval fall arrest devices. See page 30-31 for more information on personnel safety devices. Contact your local reseller for additional information.



> Master Link Trolley



Product Code	Description
PGTZR00500	Trolley Master Link WLL500kg
PGTZR01000	Trolley Master Link WLL1000kg

> Sheave Carrier



Product Code	Description
PGTTR00501	PGR Double Sheave Carrier
PGTUR00501	PGR Single Sheave Carrier
PGTTR01001	PGR1000 Double Sheave Carrier
PGTUR01001	PGR1000 Single Sheave Carrier

> Close Coupled Trolley



Product Code	Description
PGTXR00500	Trolley Close Coupled WLL500kg
PGTXR01000	Trolley Close Coupled WLL1000kg

> Sheave



Product Code	Description
RAPGR00032	Rapide Universal Sheave and Ball Lock Pin Set

➤ Winch and SRL Brackets for Gantries



➤ Supported Winch & SRL Devices

We have made accessing confined spaces or working at height easier than ever as we support a wide range of devices with our custom brackets to fit our product solutions. We are able to support a range of industry-leading devices, specified for safe lifting or fall arrest recovery.


Bracket Part Code Matrix

		PORTAGANTRY [®] <small>[RAPIDE[™]]</small>	PORTAGANTRY [®] <small>(Trap Plate)</small>	PORTAGANTRY [®] <small>(Winch Column)</small>
Personnel Winches	G.Winch	RAWB005220	RAWB005225	RAWB005208
	Guardian Checkmate	RAWB001220	RAWB001220	RAWB001200
	IKAR PLW	RAWB004220	RAWB004225	RAWB004200
	MSA Workman	RAWB008220	RAWB008220	RAWB008000
	3M SALA Winch	RAWB003520	RAWB003522	RAWB003000
	3M DBI SALA Digital Winch	RAWB003520	RAWB003522	RAWB003000
	Tuffbuilt Pro Series 1	RAWB009220	RAWB009225	RAWB009200
	Tuffbuilt Pro Series 2	RAWB009320	RAWB009325	RAWB009300
SRL Devices	Guardian FABXR	RAWB001020	RAWB001020	RAWB001000
	Tractel Blocfor	RAWB002020	RAWB002020	RAWB002000
	3M Rebel Protect A	RAWB003520	RAWB003522	RAWB003000
	3M SALA Sealed Block	RAWB003520	RAWB003522	RAWB003000
	3M Sala Ultra-Lok	RAWB003525	RAWB003520	RAWB003000
	IKAR HRA	RAWB004020	RAWB004020	RAWB004000
	Globestock G-Saver GSE 414G	RAWB005520	RAWB005520	RAWB005500
	Globestock G-Saver GSE 420G	RAWB005020	RAWB005020	RAWB005000
	Globestock G-Saver GSE 434G	RAWB005020	RAWB005020	RAWB005000
	Ridgegear	RAWB006020	RAWB006020	RAWB006000
	MSA Rescuer	RAWB008020	RAWB008020	RAWB008000



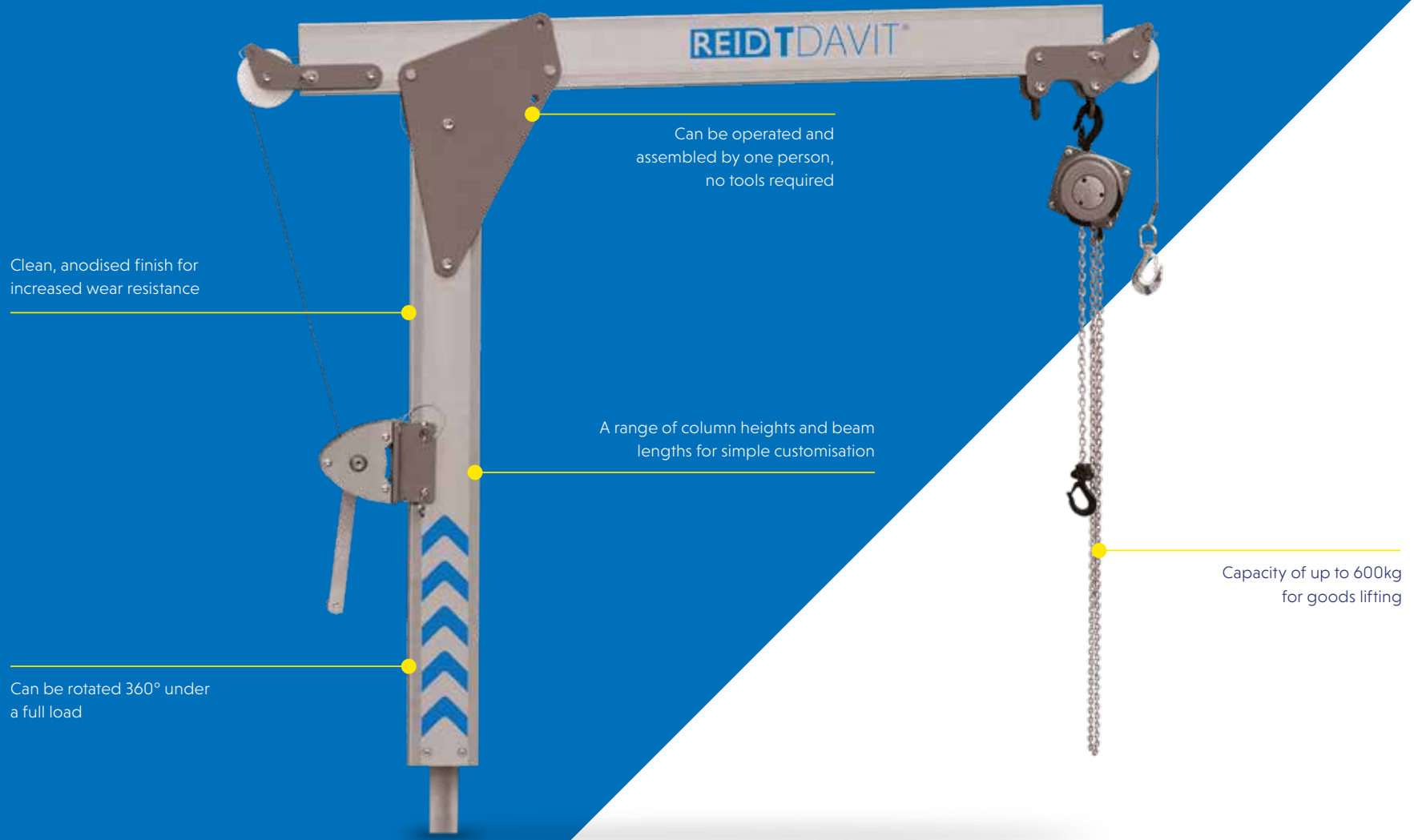
Davit Systems

We offer three different types of Davits and multiple sockets for the widest range of applications, all of which are designed to make light work of lifting and lowering.

- 34** **TDAVIT**
 - 40** **TDAVIT TDT**
 - 44** **TDAVIT TDVW**
 - 48** **PORTADAVIT**
 - 52** **PORTADAVIT^{QUANTUM}**
 - 56** **PORTX[®] DAVIT**
 - 60** **Winch and SRL Brackets for Davits**
- 



> TDAVIT®



Can be operated and assembled by one person, no tools required

Clean, anodised finish for increased wear resistance

A range of column heights and beam lengths for simple customisation

Capacity of up to 600kg for goods lifting

Can be rotated 360° under a full load

This product is patented

*See pages 62-81 for our range of fixed sockets and portable bases.

**Winch and hoist sold separately

Our TDAVIT is lightweight, portable, and as well as a wide range of standard sizes can be custom-designed and manufactured to specifically meet our customers' individual needs. Truly pioneering, it offers a lifting capacity of up to 600kg and 360° rotation under a full load.

Key features

- EN795:2012 Certified
- ATEX Certified
- Can support goods and personnel lifting;
 - Goods WLL of up to 600kg
 - Personnel WLL of up to 300kg
- Can be operated and assembled by one person, no tools required
- Can be rotated 360° under a full load
- Designed with a universal kingpin which is compatible for all REID sockets
- Clean, anodised finish for increased corrosion resistance
- A variety of attachments for a range of applications
- Engineered designs and bespoke sections reduce weight, providing lightweight portability

Configurations

The TDAVIT is available in a range of configurations and can be customised in line with specific requirements (subject to WLL rating).

**Refer to REID for further guidance



600KG
WLL



1 PERSON
ASSEMBLY



CUSTOMISED
& BAGGED



EN795
CERTIFIED



ATEX
CERTIFIED

➤ Features & Performance

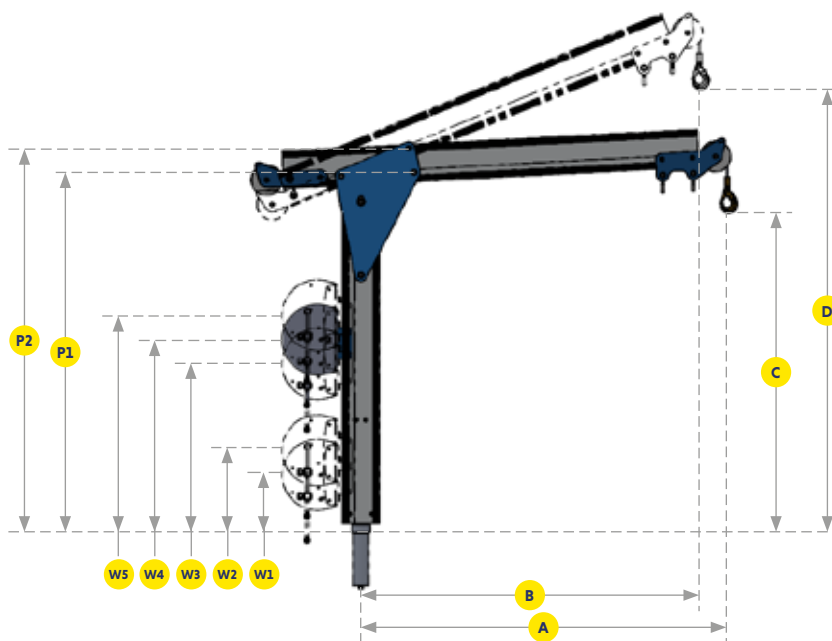
	BEAM 0	BEAM 1	BEAM 2	BEAM 3	BEAM 4
Accreditations, Certifications & Standards					
EN795:2012	✓	✓	✓	✓	✗
AS/NZS 5532:2013	✓	✓	✓	✓	✗
ATEX Certified [Zone 2]	✓	✓	✓	✓	✓
ATEX Certified [Zone 1]	Optional	Optional	Optional	Optional	Optional
IRATA	✓	✓	✓	✓	✗
Capacity					
Maximum Goods Lifting [kg]	600	500	500	375	300
Maximum Personnel Lifting [kg]	300	250	250	150	✗
Fall Arrest [Persons]	1	1	1	1	✗
Dimensions					
Maximum Reach [mm]	800	1000	1200	1600	2000
Maximum Height of Lift [mm]	2165	2240	2315	2460	2615
Socket Diameter					
Ø 65mm	✓	✓	✓	✓	✓
Socket Options					
Top Mount	✓	✓	✓	✓	✓
Flush Mount	✓	✓	✓	✓	✓
Side Mount	✓	✓	✓	✓	✓
Bridge Mount	✓	✓	✓	✓	✓
Pedestal	✓	✓	✓	✓	✓
Extension Post	✓	✓	✓	✓	✓
Standard Features					
Shackle Lifting points	✓	✓	✓	✓	✓
Component Weight < 25kg	✓	✓	✓	✓	✓
Optional Extras					
Winch Capable	✓	✓	✓	✓	✓
Rotational Handle	✓	✓	✓	✓	✓
Finishes					
Anodised	✓	✓	✓	✓	✓
316SS Fixings	Optional	Optional	Optional	Optional	Optional
Marine Spec	Optional	Optional	Optional	Optional	Optional

Dimensions in the table are approximate values. For more accurate details please refer to the Dimension Table.
All line items marked with a '✓' come as standard. All line items marked with a '✗' are not available.
All line items marked with 'optional' are available as an option and may incur additional costs.

TDAVIT® Winched

- A** Radius | Position A
- B** Radius | Position B
- C** Height of Lift | Position A
- D** Height of Lift | Position B
- W1** Winch Position 1 | 220mm
- W2** Winch Position 2 | 320mm
- W3** Winch Position 3 | 675mm
- W4** Winch Position 4 | 775mm
- W5** Winch Position 5 | 875mm
- P1** Height of Pin Position 1
- P2** Height of Pin Position 2

*Winch positions are measured to the centre of the securing bracket.



	Beam Option 0		Beam Option 1		Beam Option 2		Beam Option 3		Beam Option 4	
WLL [kg]	600		500		500		375		300	
Beam Weight [kg]	11.5		12		13		16		19	
Radius [mm]	A	B	A	B	A	B	A	B	A	B
	800	740	1000	925	1200	1110	1600	1485	2000	1855

Height of Lift [mm]	C	D	C	D	C	D	C	D	C	D	Column Weight [kg]	P1 Height [mm]	P2 Height [mm]
	Column Option 1	800	1050	810	1125	820	1200	840	1345	860			
Column Option 2	980	1230	990	1305	1000	1380	1020	1525	1040	1680	21	1165	1265
Column Option 3	1290	1540	1300	1615	1310	1690	1330	1835	1350	1990	23	1475	1575
Column Option 4	1605	1855	1615	1930	1625	2005	1645	2150	1665	2305	25	1790	1890
Column Option 5	1915	2165	1925	2240	1935	2315	1955	2460	1975	2615	28	2100	2200

*Radii achieved at = 75% WLL

➤ How To Specify A TDAVIT

Select a beam option from the table based on the radius you require. Each TDAVIT has two radius options A or B which is determined by the beam position [refer to the dimensional drawing on page 36].

Be aware that larger radius beams reduce the working load limit of the TDAVIT.

Select your column option from the dimensional table based on the height of lift you require. Column option 1 is our shortest standard column and option 5 is our tallest.

Should you need a greater height of lift, you can add a pedestal or socket extension, subject to restrictions [see 78-81 for further information].

For our standard TDAVIT product codes refer to the product code list below. For any custom requests please contact your REID representative.

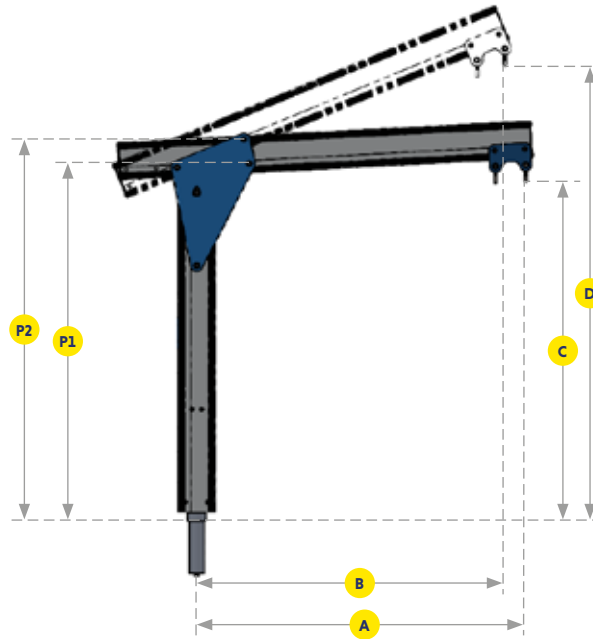
To request a quote and any additional information on sockets or accessories such as winches and chain hoists, contact your local reseller or your REID representative.

TDAVIT* Winched

	Beam Option 0	Beam Option 1	Beam Option 2	Beam Option 3	Beam Option 4
Column Option 1 W1 - W2	TDWA1A0TD2	TDWA1A1TD2	TDWA1A2TD2	TDWA1A3TD2	TDWA1A4TD2
Column Option 2 W1 - W3	TDWA2A0TD2	TDWA2A1TD2	TDWA2A2TD2	TDWA2A3TD2	TDWA2A4TD2
Column Option 3 W1 - W5	TDWA3A0TD2	TDWA3A1TD2	TDWA3A2TD2	TDWA3A3TD2	TDWA3A4TD2
Column Option 4 W3 - W5	TDWA4A0TD2	TDWA4A1TD2	TDWA4A2TD2	TDWA4A3TD2	TDWA4A4TD2
Column Option 5 W5	TDWA5A0TD2	TDWA5A1TD2	TDWA5A2TD2	TDWA5A3TD2	TDWA5A4TD2

TDAVIT® Shackled

- A** Radius | Position A
- B** Radius | Position B
- C** Height of Lift | Position A
- D** Height of Lift | Position B
- P1** Height of Pin Position 1
- P2** Height of Pin Position 2



	Beam Option 0		Beam Option 1		Beam Option 2		Beam Option 3		Beam Option 4	
WLL [kg]	600		500		500		375		300	
Beam Weight [kg]	9		10		11		14		17	
Radius [mm]	A	B	A	B	A	B	A	B	A	B
	650	590	850	775	1050	960	1450	1335	1850	1705

Height of Lift [mm]	C	D	C	D	C	D	C	D	C	D	Column Weight [kg]	P1 Height [mm]	P2 Height [mm]
	Column Option 1	880	1100	890	1175	900	1250	920	1395	940			
Column Option 2	1060	1280	1070	1355	1080	1430	1100	1575	1120	1730	21	1165	1265
Column Option 3	1370	1590	1380	1665	1390	1740	1410	1885	1430	2040	23	1475	1575
Column Option 4	1685	1905	1695	1980	1705	2055	1725	2200	1745	2355	25	1790	1890
Column Option 5	1995	2215	2005	2290	2015	2365	2035	2510	2055	2665	28	2100	2200

*Radii achieved at = 75% WLL

> How To Specify A TDAVIT

Select a beam option from the table based on the radius you require. Each TDAVIT has two radius options A or B which is determined by the beam position [refer to the dimensional drawing on page 38].

Be aware that larger radius beams reduce the working load limit of the TDAVIT.

Select your column option from the dimensional table based on the height of lift you require. Column option 1 is our shortest standard column and option 5 is our tallest.

Should you need a greater height of lift, you can add a pedestal or socket extension, subject to restrictions [see 78-81 for further information].

For our standard TDAVIT product codes refer to the product code list below. For any custom requests please contact your REID representative.

To request a quote and any additional information on sockets or accessories such as winches and chain hoists, contact your local reseller or your REID representative.

TDAVIT* Shackled

	Beam Option 0	Beam Option 1	Beam Option 2	Beam Option 3	Beam Option 4
Column Option 1	TDSA1A0TD2	TDSA1A1TD2	TDSA1A2TD2	TDSA1A3TD2	TDSA1A4TD2
Column Option 2	TDSA2A0TD2	TDSA2A1TD2	TDSA2A2TD2	TDSA2A3TD2	TDSA2A4TD2
Column Option 3	TDSA3A0TD2	TDSA3A1TD2	TDSA3A2TD2	TDSA3A3TD2	TDSA3A4TD2
Column Option 4	TDSA4A0TD2	TDSA4A1TD2	TDSA4A2TD2	TDSA4A3TD2	TDSA4A4TD2
Column Option 5	TDSA5A0TD2	TDSA5A1TD2	TDSA5A2TD2	TDSA5A3TD2	TDSA5A4TD2

> TDAVIT® TDT

Can be operated and assembled by one person, no tools required

Clean, anodized finish for increased corrosion resistance

A range of column heights and beam lengths for a variety of work environments

Can be rotated 360° under a full load

Integrated geared trolley which improves lateral movement of high capacity loads



The **TDT** can be combined with many proprietary manual hand chain hoists. Suitable hoists are available from REID Lifting and can be combined with the product to provide a holistic lifting solution or can be purchased via our network of resellers operating in your area.

This product is patented

*See pages 62-81 for our range of fixed sockets and portable bases.

Our TDAVIT – TDT is lightweight, portable and has been designed to meet customer needs where the lifting and moving of equipment in tight spaces is a challenge.

Key features

- A range of 3 column and 4 beam sizes to suit customer specific needs
- Variable beam traversing via integrated geared trolley and customers choice of hoist
- Trolley can be secured during lift
- Trolley can be traversed whilst under load (34¾" to 45¾" of movement)
- Rotation under load due to patented integral bearing system
- Universal kingpin fits all REID sockets
- Manufactured from marine grade alloy and anodized/powder coated for increased corrosion resistance
- Quality engineering and production parts reduce weight and provide high strength to weight ratios
- Two piece design to reduce manual handling concerns during transportation and assembly
- ATEX Zone 2 (explosive atmospheres) certification as standard
- ATEX Zone 1 (explosive atmospheres) as optional upgrade
- Can be assembled and operated by one person. No tools required

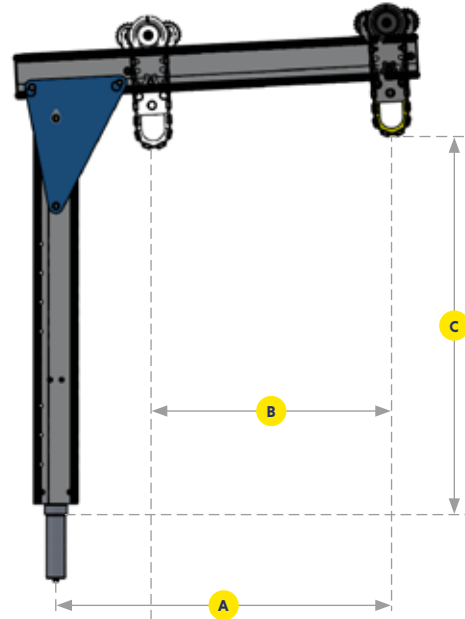
Configurations

The TDT is available in several standard configurations to meet with customers most common requirements. Custom solutions can be offered by request, subject to the working load limit requirements.

Features & Performance

	1200	1500	1700	2000
Accreditations, Certifications & Standards				
Directive 2006/42/EC	✓	✓	✓	✓
ATEX Certified [Zone 1]	Optional	Optional	Optional	Optional
Capacity				
Max Goods Lifting (kg)	400	400	200	200
Dimensions				
Maximum Reach (mm)	1200	1500	1700	2000
Maximum Height of Lift (mm)	1945	1960	1971	1986
Socket Diameter				
65mm	✓	✓	✓	✓
Socket Options				
Top Mount	✓	✓	✓	✓
Flush Mount	✓	✓	✓	✓
Side Mount	✓	✓	✓	✓
Bridge Mount	✓	✓	✓	✓
Pedestal	✓	✓	✓	✓
Standard Features				
Component Weight < 25kg	✓	✓	✓	✓
Geared Trolley	✓	✓	✓	✓
Finishes				
Anodised	✓	✓	✓	✓
316SS Fixings	Optional	Optional	Optional	Optional
Marine Spec	Optional	Optional	Optional	Optional

- A** Radius
- B** Range of trolley movement
- C** Height of Lift



A max [mm] Radius	1200	1500	1700	2000
A min [mm] Radius	335	335	335	335
B [mm]	865	1165	1365	1665
WLL [kg]	400	400	200	200
Beam Weight [kg]	12	14	16	18

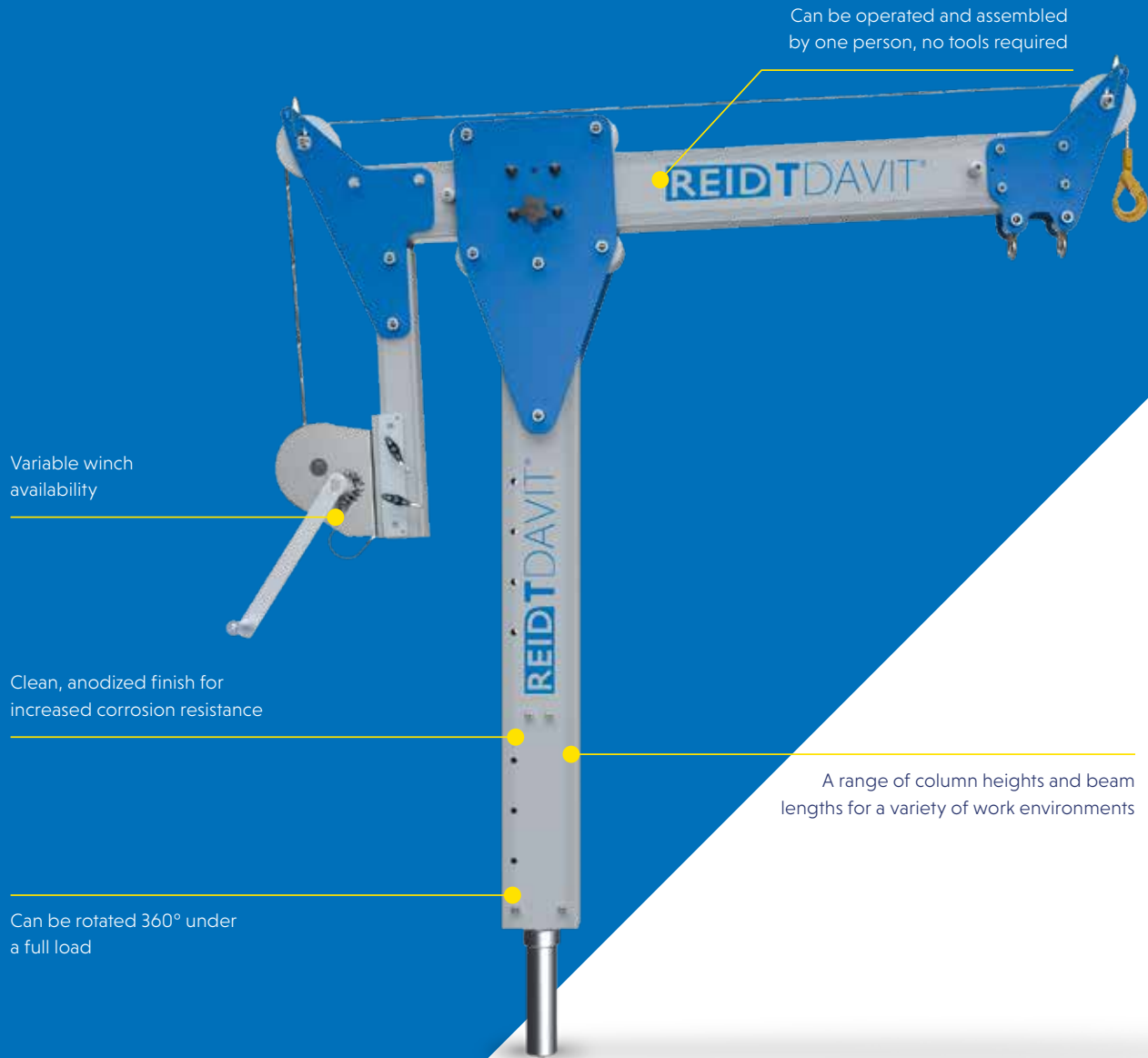
	C Height of Lift [mm]				Column Weight [kg]
Column Option 3	1320	1335	1346	1361	23
Column Option 4	1635	1650	1661	1676	25
Column Option 5	1945	1960	1971	1986	27

*Radii achieved at ≈75% WLL

TDAVIT* Geared Trolley

	Beam 1200	Beam 1500	Beam 1700	2000 Beam
Column Option 3	TDTA31200	TDTA31500	TDTA31700	TDTA32000
Column Option 4	TDTA41200	TDTA41500	TDTA41700	TDTA42000
Column Option 5	TDTA51200	TDTA51500	TDTA51700	TDTA52000

> TDAVIT® TDVW



This product is patented

*See pages 62-81 for our range of fixed sockets and portable bases.

Our **TDAVIT – TDVW** is lightweight, portable and has been designed to meet customer needs where the lifting and moving of equipment in tight spaces is a challenge.

➤ Key features

- A range of 3 columns and 4 beam sizes to suit customer specific needs
- Variable beam length achieved with simple manual operation
- Beam can be secured during lift
- Easy beam adjustment whilst under load (726mm to 1526mm of movement)
- Rotation under load due to patented integral bearing system
- Universal kingpin fits all REID sockets
- Manufactured from marine grade alloy and anodised/powder coated for increased corrosion resistance
- Quality engineering and production parts reduce weight and provide high strength to weight ratios
- Two piece design to reduce manual handling concerns during transportation and assembly
- ATEX Zone 2 (explosive atmospheres) certification as standard
- ATEX Zone 1 (explosive atmospheres) as optional upgrade
- Can be assembled and operated by one person. No tools required

➤ Configurations

The **TDVW** is available in several standard configurations to meet with customers most common requirements. Custom solutions can be offered by request, subject to the working load limit requirements.

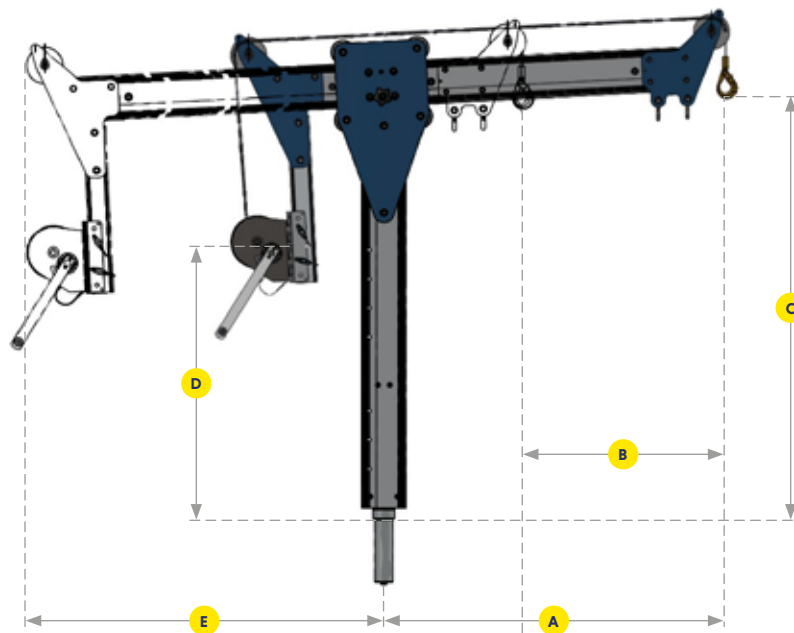
➤ Winches

The **TDVW** is compatible with a number of goods winches which are available to purchase directly from REID, or alternatively these can be purchased via our network of resellers operating in your area.

➤ Features & Performance

	1200	1500	1700	2000
Accreditations, Certifications & Standards				
Directive 2006/42/EC	✓	✓	✓	✓
ATEX Certified [Zone 1]	Optional	Optional	Optional	Optional
Capacity				
Max Goods Lifting (kg)	300	300	150	150
Dimensions				
Maximum Reach (mm)	1200	1500	1700	2000
Maximum Height of Lift (mm)	2093	2107	2118	2132
Socket Diameter				
65mm	✓	✓	✓	✓
Socket Options				
Top Mount	✓	✓	✓	✓
Flush Mount	✓	✓	✓	✓
Side Mount	✓	✓	✓	✓
Bridge Mount	✓	✓	✓	✓
Pedestal	✓	✓	✓	✓
Standard Features				
Shackle Lifting points	✓	✓	✓	✓
Finishes				
Anodised	✓	✓	✓	✓
316SS Fixings	Optional	Optional	Optional	Optional
Marine Spec	Optional	Optional	Optional	Optional

- A** Radius
- B** Range of beam travel
- C** Height of Lift
- D** Height to winch bracket centre
- E** Clearance for beam travel



	1200	1500	1700	2000
A max [mm] Radius	1200	1500	1700	2000
A min [mm] Radius	474	474	474	474
B [mm] Range of beam travel	726	1026	1226	1526
E [mm] Clearance for beam travel	1230	1503	1721	1995
WLL [kg]	300	300	150	150
Beam Weight [kg]	22	25	27	29

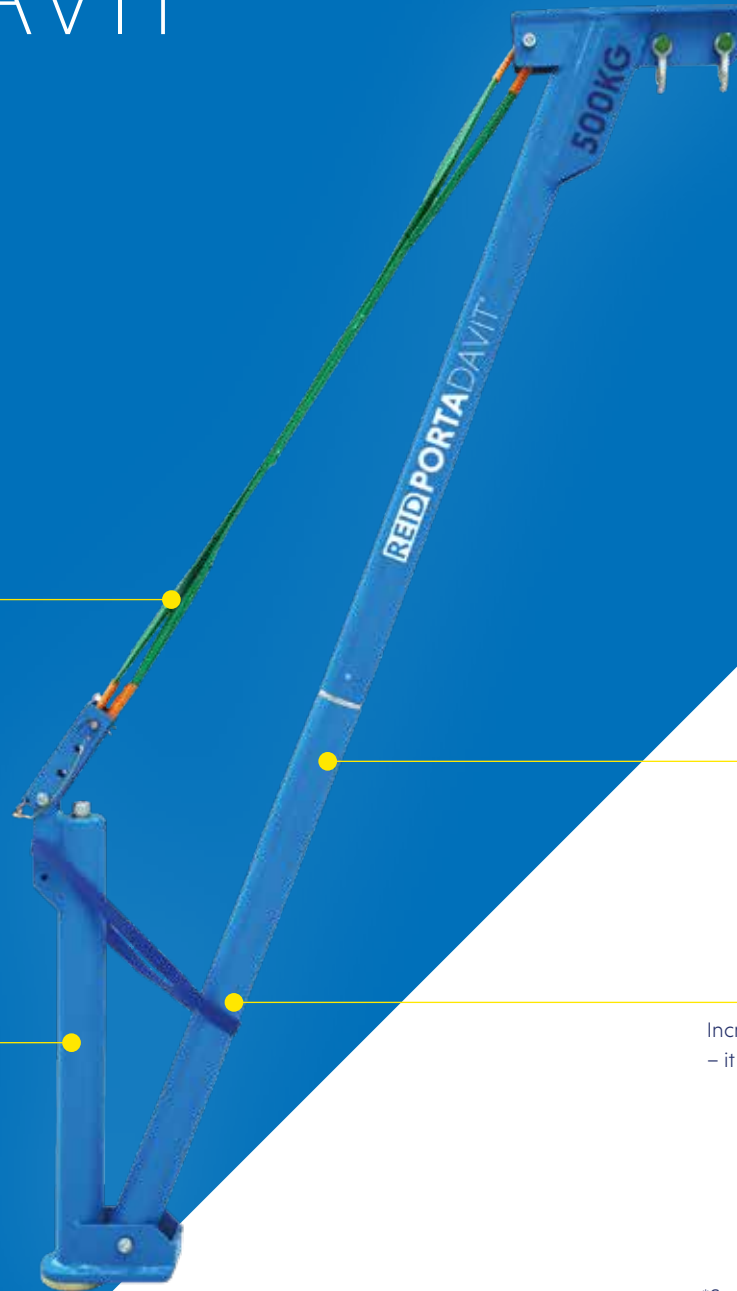
	C Height of Lift [mm]				D [mm] Height to centre of bracket	Column Weight [kg]
Column Option 3	1468	1482	1493	1507	938	31
Column Option 4	1783	1797	1808	1822		33
Column Option 5	2093	2107	2118	2132		35

*Radii achieved at = 75% WLL

TDAVIT* Variable Winch

	Beam 1200	Beam 1500	Beam 1700	Beam 2000
Column Option 3	TDVWA31200	TDVWA31500	TDVWA31700	TDVWA32000
Column Option 4	TDVWA41200	TDVWA41500	TDVWA41700	TDVWA42000
Column Option 5	TDVWA51200	TDVWA51500	TDVWA51700	TDVWA52000

> PORTADAVIT®



Can be rotated 360° under a full load

Clean powder-coated finish for increased wear resistance

Can be operated and assembled by one person, no tools required

Incredibly lightweight – it weighs just 24kg

This product is patented

*See pages 62-81 for our range of fixed sockets and portable bases.

Our **PORTADAVIT** is a rapid deployable, lightweight solution that offers a WLL of up to 1000kg and can be easily rotated 360° under a full load. The system can be operated by just one person and can support both goods and personnel lifting.

Key features

- EN795:2012 Certified
- ATEX Certified
- Can support goods and personnel lifting;
 - Goods WLL of up to 1000kg
 - Personnel WLL of up to 300kg
- Ease of assembly with the use of just one pin, no tools required
- Can be rotated 360° under a full load
- Engineered with easy radius adjustment
- Engineered designs and bespoke sections reduce weight, providing lightweight portability

➤ Configurations

The **PORTADAVIT** is available in a range of standard configurations. It can also be customised in line with specific requirements and interchangeable components (subject to WLL rating).



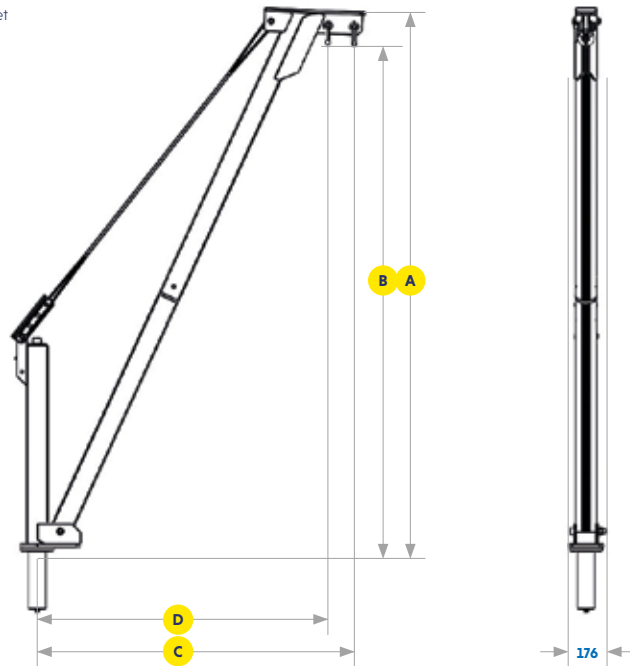
➤ Features & Performance

	500	1000
Accreditations, Certifications & Standards		
EN795:2012	✓	✓
PD CEN / TS16415:2013	x	✓
AS/NZS 5532:2013	✓	✓
ATEX Certified [Zone 2]	✓	✓
IRATA	x	✓
Capacity		
Maximum Goods Lifting [kg]	500	1000
Maximum Personnel Lifting [kg]	250	300
Fall Arrest [Persons]	1	2
Dimensions		
Maximum Reach [mm]	1200	1200
Maximum Height of Lift [mm]	2107	2100
Socket Diameter		
Ø 65mm	✓	x
Ø 95mm	x	✓
Socket Options		
Top Mount	✓	✓
Flush Mount	✓	✓
Side Mount	✓	✓
Bridge Mount	✓	x
Pedestal	✓	x
Extension Post	✓	x
Standard Features		
Shackle Lifting points	✓	✓
Weight < 25kg	✓	x
Optional Extras		
Winch Capable	Optional	x
Finishes		
Anodised	x	✓
Powder Coated	✓	x
316SS Fixings	Optional	Optional
Marine Spec	Optional	Optional

Dimensions in the table are approximate values. For more accurate details please refer to the Dimension Table.
 All line items marked with a '✓' come as standard. All line items marked with a 'x' are not available.
 All line items marked with 'optional' are available as an option and may incur additional costs.

PORTADAVIT® 500

- A** Overall height from top of socket
- B** Height to outer shackle
- C** Radius to outer shackle
- D** Radius to inner shackle

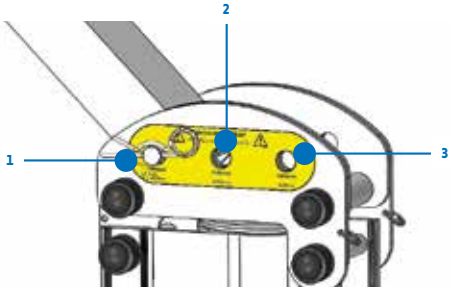
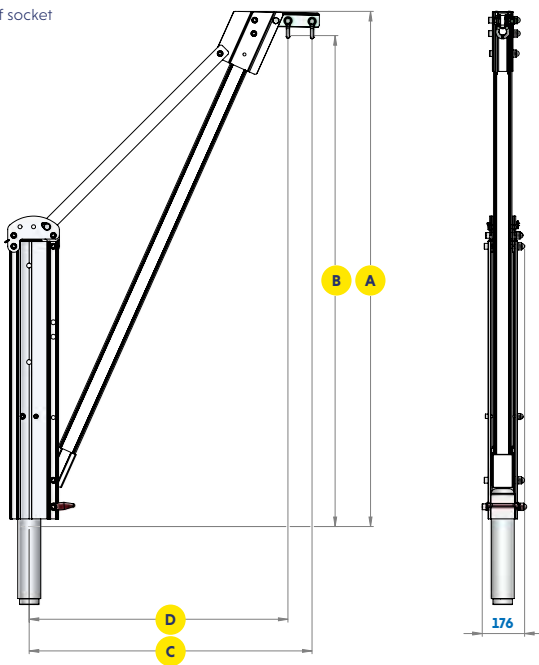


WLL	Radius Adjustment Points	Dimensions [mm]			
		A	B	C*	D*
500kg	1	2036	1925	1200	1100
	2	2139	2028	1000	900
	3	2218	2107	800	700

*Radii achieved at = 75% WLL

PORTADAVIT® 1000

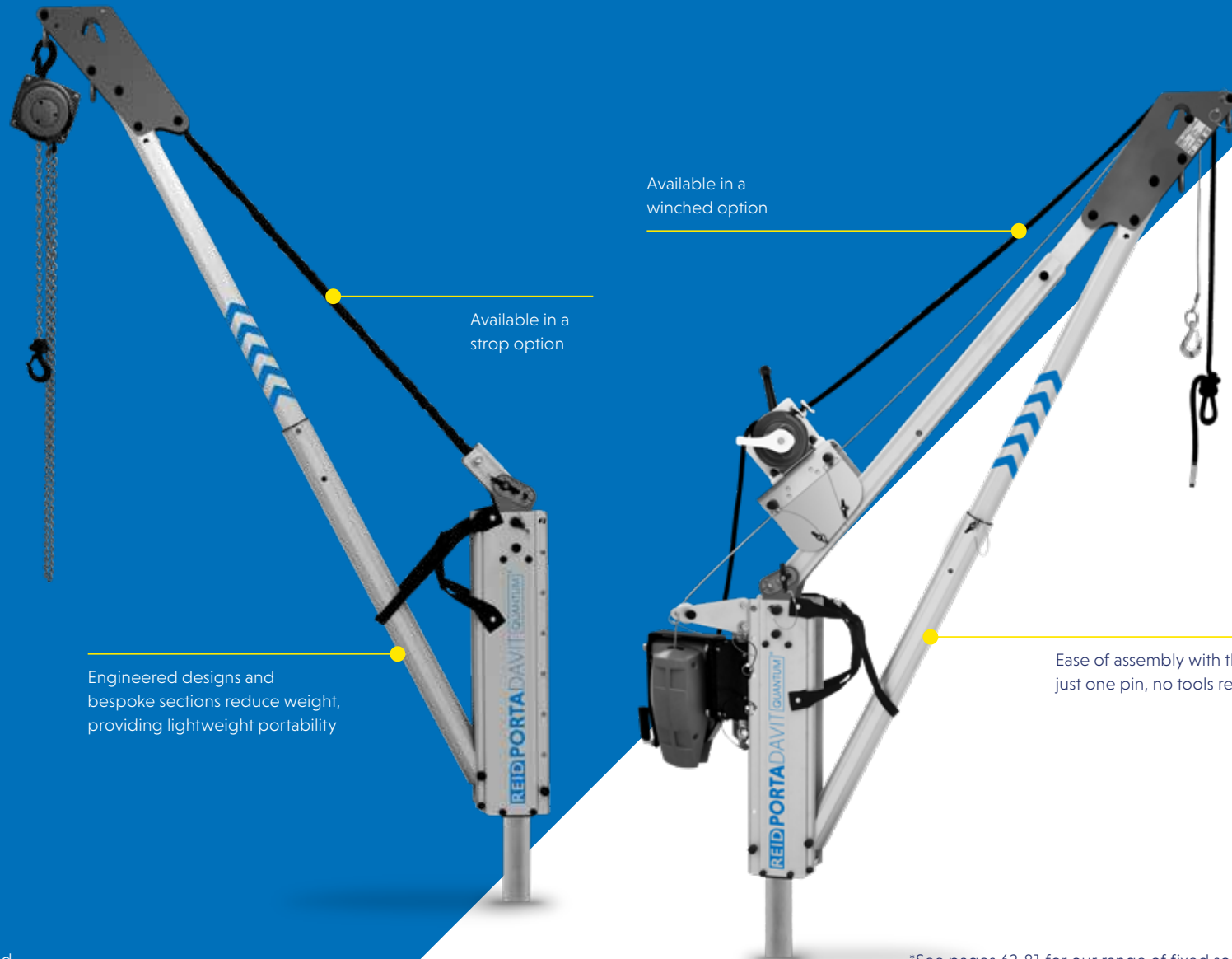
- A** Overall height from top of socket
- B** Height to shackles
- C** Radius to outer shackle
- D** Radius to inner shackle



WLL	Radius Adjustment Points	Dimensions [mm]			
		A	B	C*	D*
1000kg	1	2100	2000	1200	1100
	2	2150	2050	1100	1000
	3	2200	2100	1000	900

*Radii achieved at ≈ 75% WLL

▶ PORTADAVIT QUANTUM®



Available in a winched option

Available in a strop option

Engineered designs and bespoke sections reduce weight, providing lightweight portability

Ease of assembly with the use of just one pin, no tools required

This product is patented

*See pages 62-81 for our range of fixed sockets and portable bases.

Our **PORTADAVIT^{QUANTUM}** is a rapidly deployable, lightweight solution to heavy lifting and lowering of goods and personnel. Weighing from just 18.5kg when fully assembled, it can be manually operated by one person while maintaining a lifting capacity of up to 600kg.

Key features

- EN795:2012 Certified
- ATEX Certified
- Can support goods and personnel lifting;
 - Goods WLL of up to 600kg
 - Personnel WLL of up to 300kg
- Ease of assembly with the use of just one pin, no tools required
- Can be rotated 360° under a full load
- Designed with a universal kingpin which is compatible for all REID sockets
- Easy radius adjustment
- Engineered designs and bespoke sections reduce weight, providing lightweight portability

Configurations

The **PORTADAVIT^{QUANTUM}** is available in a strop and winched version for use with a range of lifting equipment.

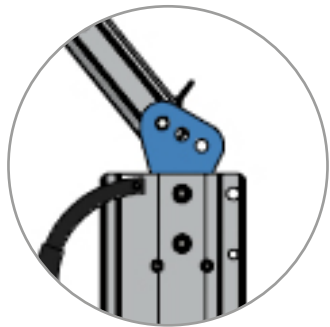


➤ Features & Performance

	PDQ 1	PDQ 2
Accreditations, Certifications & Standards		
EN795:2012	✓	✓
AS/NZS 5532:2013	✓	✓
ATEX Certified [Zone 2]	✓	✓
ATEX Certified [Zone 1]	Optional	Optional
Capacity		
Maximum Goods Lifting [kg]	600	500
Maximum Personnel Lifting [kg]	300	250
Fall Arrest [Persons]	1	1
Dimensions		
Maximum Reach [mm]	1200	1500
Maximum Height of Lift [mm]	2111	1957
Socket Diameter		
Ø 65mm	✓	✓
Socket Options		
Top Mount	✓	✓
Flush Mount	✓	✓
Side Mount	✓	✓
Bridge Mount	✓	✓
Pedestal	✓	✓
Extension Post	✓	✓
Standard Features		
One Piece Unit	✓	✓
Multiple Accessory Attachment	✓	✓
Shackle Lifting Points	✓	✓
Weight < 25kg	✓	✓
Optional Extras		
Winch Capable	✓	✓
Rotational Handle	✓	✓
Finishes		
Anodised	✓	✓
316SS Fixings	Optional	Optional
Marine Spec	Optional	Optional

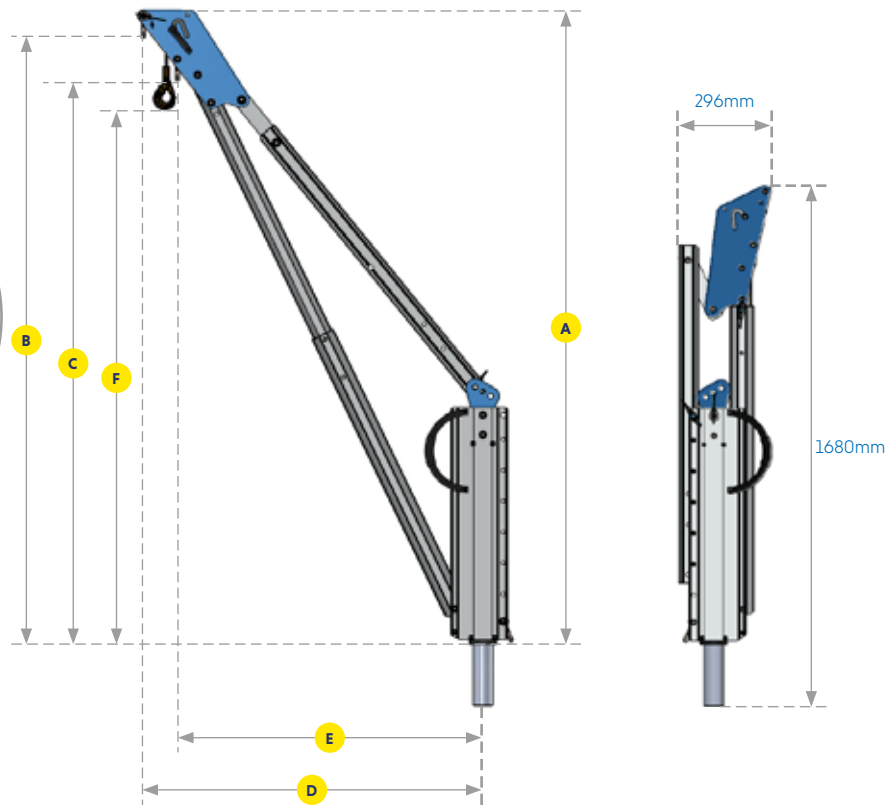
Dimensions in the table are approximate values. For more accurate details please refer to the Dimension Table.
 All line items marked with a '✓' come as standard. All line items marked with a 'X' are not available.
 All line items marked with 'optional' are available as an option and may incur additional costs.

- A** Overall height
- B** Height to outer shackle
- C** Height to inner shackle
- D** Radius to outer shackle
- E** Radius to inner shackle
- F** Height of lift

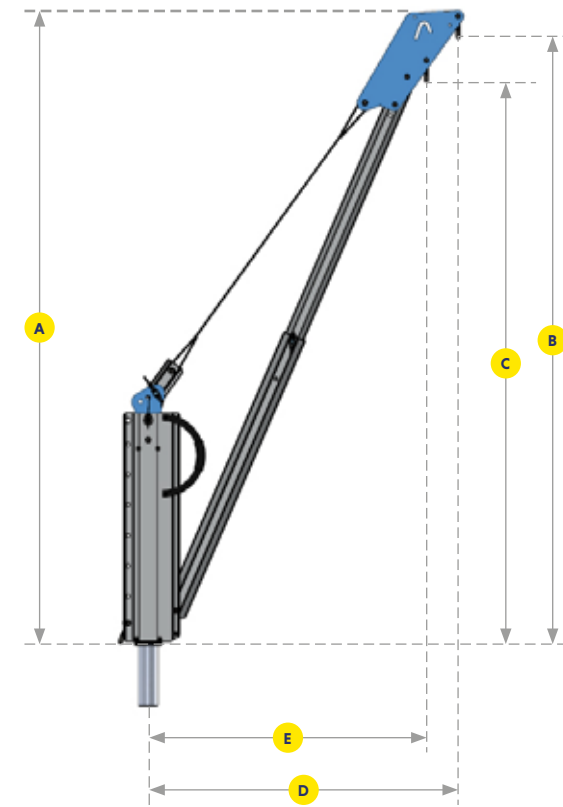


Three radius adjustment points for 100mm radius adjustment increments

Winched [W]



Strop [S]



	Part Code	WLL [kg]	Radius Adjustment Point	A [mm] Overall Height	B [mm] Height to Outer Shackle	C [mm] Height to inner shackle	D [mm] Radius to outer shackle	E [mm] Radius to inner shackle	F [mm] Height of lift	System Weight [kg]
Winched	PDQ1W	600	1	2007	1935	1799	1200	1100	1771	22.5
			2	2061	1989	1848	1100	1000	1818	
			3	2111	2039	1892	1000	900	1860	
	PDQ2W	500	1	1837	1766	1647	1500	1400	1620	23
			2	1899	1827	1703	1400	1300	1674	
			3	1957	1885	1755	1300	1200	1726	

	Part Code	WLL [kg]	Radius Adjustment Point	A [mm] Overall Height	B [mm] Height to Outer Shackle	C [mm] Height to inner shackle	D [mm] Radius to outer shackle	E [mm] Radius to inner shackle	System Weight [kg]
Strop	PDQ1S	600	1	2007	1935	1799	1200	1100	18.5
			2	2061	1989	1848	1100	1000	
			3	2111	2039	1892	1000	900	
	PDQ2S	500	1	1837	1766	1647	1500	1400	19
			2	1899	1827	1703	1400	1300	
			3	1957	1885	1755	1300	1200	

*Radii achieved at = 75% WLL

PORTX[®] DAVIT



Dual rear-mounted winch capability

Engineered designs and bespoke sections reduce weight, providing lightweight portability

Certified for use with REID's full range of bases and sockets with 65mm kingpin.

Added shackle point for top man safety

Ease of assembly with no tools required and three-piece design

Can be rotated 360° under a full load

This product is patented

Our lightweight and portable **PORTX**™ DAVIT has been designed and specified for fall protection applications including confined space access and egress, with the added benefit of goods lifting capability.

Very well suited to a wide range of industrial and construction safety applications, including shoring/trenching and confined space access. Fall protection devices are mounted on the rear of the column to avoid clashes with guardrails, walls or similar.

Key features

- Conforms with EN795:2012 Anchor Devices (class B) and tested as a complete safety system including brackets to EN1496:2017
- ATEX Zone 2 certification as standard
- ATEX Zone 1 optional upgrade
- Can support goods lifting up to 300kg and personnel lifting up to 150kg
- 3-piece design for ease of transportation and storage and comes with a carry bag
- Ability to locate two safety or lifting devices on the rear column of the davit, enabling primary and secondary safety or a combination of personnel and goods lifting
- Variable bracket mounting positions for better ergonomics
- Additional fall protection anchor on column for the winch operator
- Comfortable rotation under load due to Reid's patented integral bearing system
- Universal kingpin fits all Reid sockets and Portabases
- Manufactured from marine grade alloy, anodised/powder coated for high corrosion resistance
- Designed and built using quality engineering and production parts that help reduce weight and provide high strength to weight ratios.
- Can be assembled and operated by one person with no tools required

Accessories

REID offer a range of winch and retrieval fall arrest connection brackets for the industries leading models, all tested and certified to EN795 and EN1496 to provide our customers with complete system confidence.



**300KG
WLL**



**1-2 PERSON
ASSEMBLY**



**EN795
CERTIFIED**



**ATEX
CERTIFIED**

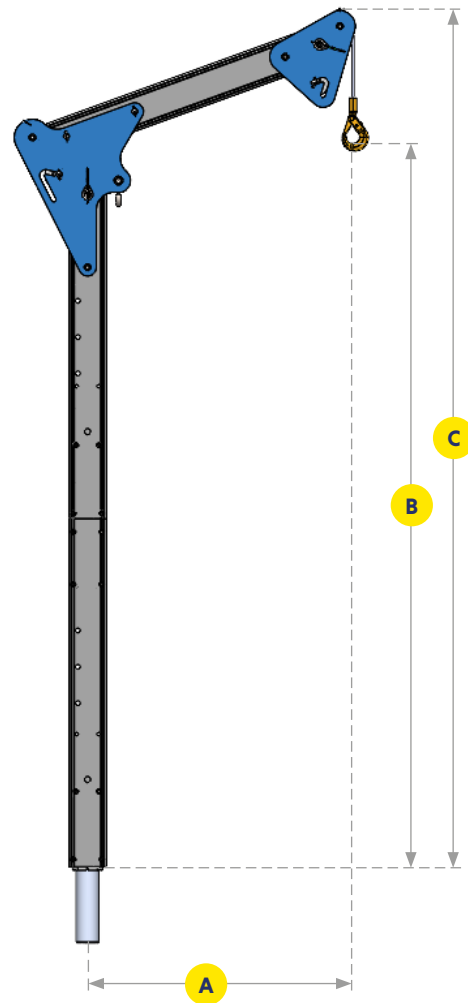
➤ Features & Performance

	2000	2400	2800
Accreditations, Certifications & Standards			
EN795:2012	✓	✓	✓
EN1496:2017	✓	✓	✓
ATEX Certified [Zone 2]	✓	✓	✓
ATEX Certified [Zone 1]	Optional	Optional	Optional
Capacity			
Maximum Goods Lifting [kg]	300	300	300
Maximum Personnel Lifting [kg]	150	150	150
Fall Arrest [Persons]	1	1	1
Dimensions			
Maximum Reach [mm]	800	800	800
Maximum Height of Lift [mm]	2000	2400	2800
Socket Details			
Ø 65mm	✓	✓	✓
Top Mount	✓	✓	✓
Flush Mount	✓	✓	✓
Side Mount	✓	✓	✓
Bridge Mount	✓	✓	✓
Pedestal	✓	✓	✓
PortX Saddle Mount	✓	✓	✓
Porta Base	✓	✓	✓
Standard Features			
Winch Capable	✓	✓	✓
Component Weight < 15kg	✓	✓	✓
Finishes			
Anodised	✓	✓	✓
316SS Fixings	Optional	Optional	Optional
Marine Spec	Optional	Optional	Optional

- A** Radius
- B** Overall height of lift
- C** Height to top of beam



Captivated cable installation guides for easy set up.



Model	Max User Weight [kg]	Max goods weight [kg]	Dimensions [mm]		
			A	B	C
PTXDR800-20	150	300	800	2000	2371
PTXDR800-24	150	300	800	2400	2771
PTXDR800-28	150	300	800	2800	3171

> Key Features



Redesigned cheek plates with dual sheaves and captivated cable installation guide for easy set up.



Upper and lower rollers for effective dual winch use, in addition to front captivated cable installation guide for easy set up.



Dual rear-mounted winches, strategically positioned to avoid guardrailes, walles and other obstacles.



Unique three-part design, each weighing less than 15kg, shipped in a protective carry bag.

> Accessories for Davits



> Supported Winch & SRL Devices

We have made accessing confined spaces or working at height easier than ever as we support a wide range of devices with our custom brackets to fit our product solutions. We are able to support a range of industry-leading devices, specified for safe lifting or fall arrest recovery.



> Rotational Handle

Our rotational handle can be fitted to the column of the davit to aid in the rotation under load. The rotational handle can be fitted to our **TDAVIT**, **PORTADAVIT** QUANTUM or **PORTX** DAVIT systems.

Product Code	Description
RATD000006	Rotation Handle

Winch & SRL Brackets Part Codes

	T ^{DAVIT}	PORTA ^{DAVIT} QUANTUM [®] Column	PORTA ^{DAVIT} QUANTUM [®] Single Winched Backstay	PORTA ^{DAVIT} QUANTUM [®] Double Winched Backstay	PORTA ^{DAVIT}	PORT ^X DAVIT Single Winched	PORT ^X DAVIT Double Winched
Personnel Winches	G.Winch	RAWB005200	RAWB005200	RAWB005206	N/A	RAWB005203	RAWB005209
	Guardian Checkmate	RAWB001200	RAWB001200	RAWB001206	N/A	RAWB001203	RAWB001209
	IKAR PLW	RAWB004200	RAWB004200	RAWB004206	N/A	RAWB004203	RAWB004209
	MSA Workman	RAWB008000	RAWB008000	RAWB008006	N/A	RAWB008003	N/A
	3M SALA Winch	RAWB003000	RAWB003000	RAWB003006	N/A	RAWB003003	RAWB003009
	3M DBI SALA Digital Winch	RAWB003000	RAWB003000	RAWB003006	N/A	RAWB003003	RAWB003009
	Tuffbuilt Pro Series 1	RAWB009200	RAWB009200	RAWB009206	N/A	RAWB009203	N/A
	Tuffbuilt Pro Series 2	RAWB009300	RAWB009300	RAWB009306	N/A	RAWB009303	N/A
SRL Devices	Guardian FABXR	RAWB001000	RAWB001000	RAWB001000	RAWB001010	RAWB001000	N/A
	Tractel Blocfor	RAWB002000	RAWB002000	RAWB002000	RAWB002010	RAWB002000	N/A
	3M Rebel Protect A	RAWB003000	RAWB003000	RAWB003006	RAWB003010	RAWB003003	N/A
	SALA Sealed Block	RAWB003000	RAWB003000	RAWB003006	RAWB003010	RAWB003003	N/A
	3M Sala Ultra-Lok	RAWB003000	RAWB003000	RAWB003006	RAWB003010	RAWB003003	N/A
	IKAR HRA	RAWB004000	RAWB004000	RAWB004000	RAWB004010	RAWB004000	N/A
	Globestock G-Saver GSE 414G	RAWB005500	RAWB005500	RAWB005500	RAWB005510	RAWB005500	N/A
	Globestock G-Saver GSE 420G	RAWB005000	RAWB005000	RAWB005000	RAWB005010	RAWB005000	N/A
	Globestock G-Saver GSE 434G	RAWB005000	RAWB005000	RAWB005000	RAWB005010	RAWB005000	N/A
	Ridgegear	RAWB006000	RAWB006000	RAWB006000	RAWB006010	RAWB006000	N/A
	MSA Rescuer	RAWB008000	RAWB008000	RAWB008006	N/A	RAWB008003	N/A



Bases & Sockets

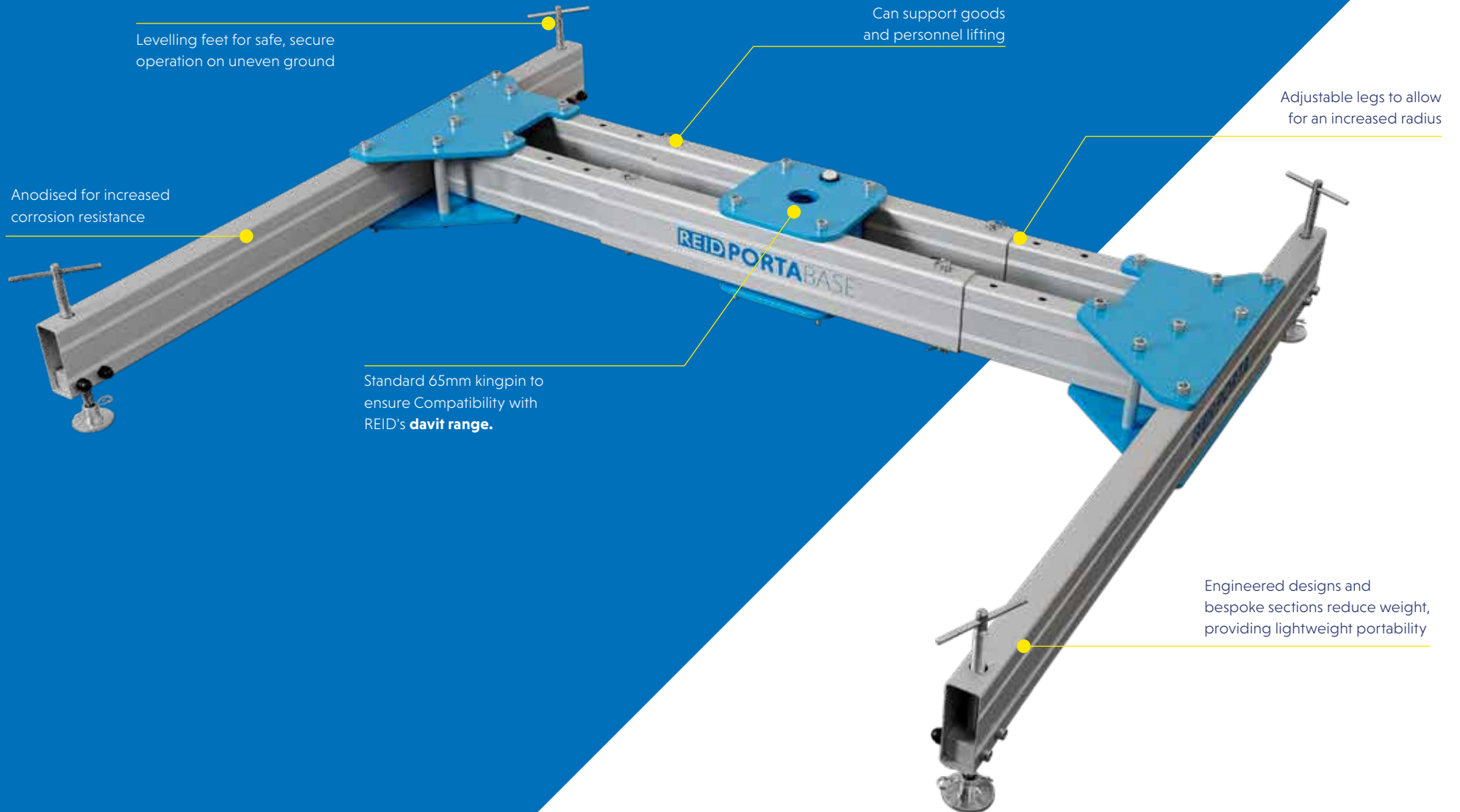
We offer a wide range of portable bases, sockets and extensions which offer full versatility and compatibility with our Davit range, all of which are designed to make light work of lifting and lowering.

64 **PORTA**BASE

78 **Sockets & Extensions**



▶ PORTABASE[®] H-Base



Levelling feet for safe, secure operation on uneven ground

Can support goods and personnel lifting

Adjustable legs to allow for an increased radius

Anodised for increased corrosion resistance

Standard 65mm kingpin to ensure Compatibility with REID's **davit range**.

Engineered designs and bespoke sections reduce weight, providing lightweight portability

The **PORTABASE**® H-Base has been expertly engineered to provide full use and compatibility with our davit range providing maximum flexibility where the installation or use of a fixed socket is not possible. It is a portable three-piece system which breaks down for easy lightweight transportation.

The **PORTABASE**® H-Base enables our Davit products to be used for lifting goods up to 600kg, as well as providing an anchor point for personnel lifting and fall arrest scenarios, including confined space entry and egress and working at height.

Key features

- EN795:2012 Certified
- Can support goods and personnel lifting;
 - Goods WLL of up to 600kg
 - Personnel WLL of up to 300kg
- Breaks down in to 3 components for ease of transportation
- Designed for ease of assembly using pins, with no bolted sections or the need for tools
- Detachable legs for ease of transportation
- Levelling feet designed to support the system to function correctly on uneven ground
- Compatible with the use of **TDAVIT**, **PORTA**DAVIT^{QUANTUM} or **PORTX** DAVIT
- Clean, anodised finish for increased corrosion resistance
- Engineered designs and bespoke sections reduce weight, providing lightweight portability



**600KG
WLL**



**1-2 PERSON
ASSEMBLY**



**3 MANAGEABLE
COMPONENTS**



**EN795
CERTIFIED**

➤ Features & Performance

	H BASE
Accreditations, Certifications & Standards	
EN795:2012	✓
ANSI Z359.18-17	✓
ATEX Certified [Zone 2]	Optional
IRATA	✓
Capacity	
Maximum Goods Lifting [kg]	600
Maximum Personnel Lifting [kg]	300
Fall Arrest [Persons]	1
Maximum Radius [mm]	800
Dimensions	
Minimum Base Width [mm]	1430
Maximum Base Width [mm]	1830
Minimum Base Height [mm]	217
Maximum Base Height [mm]	332
Overall Length [mm]	1600
Compatible Products	
Porta Davit Quantum [Restricted]	✓
T Davit [Shackled]	✓
T Davit [Winched]	✓
T Davit [Double Winched]	✓
PortX Davit	✓
Standard Features	
Levelling Feet	✓
Individual Component Weight < 25kg	✓
No Tools Required	✓
Finishes	
Anodised / Powder Coated	✓
316SS Fixings	Optional
Marine Spec	Optional

Dimensions in the table are approximate values. For more accurate details please refer to the Dimension Table.
 All line items marked with a '✓' come as standard. All line items marked with a 'X' are not available.
 All line items marked with 'optional' are available as an option and may incur additional costs.

PORTABASE[®] Counterbalance

Levelling feet for safe, secure operation on uneven ground

Detachable folding basket with integrated swivel-locking castors

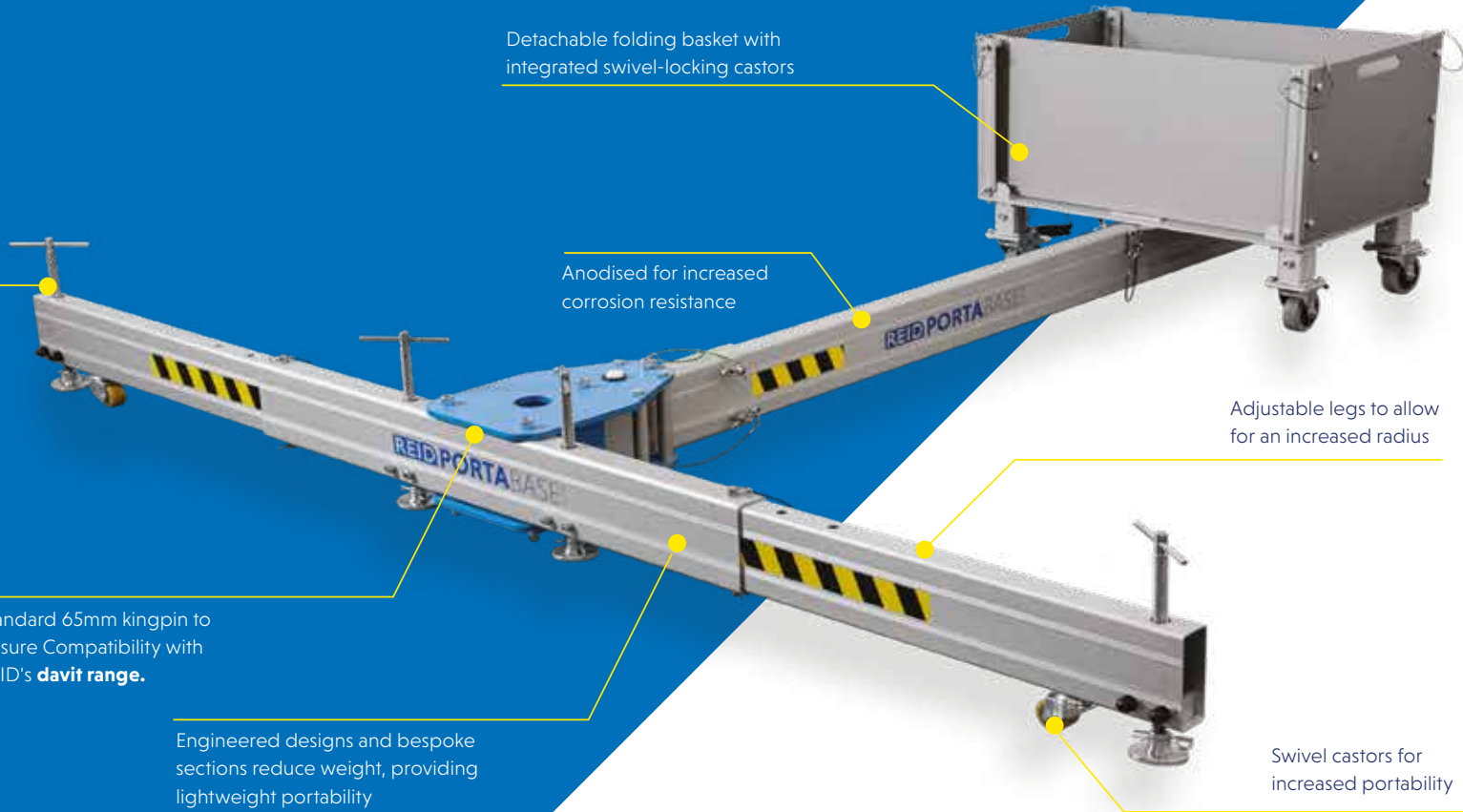
Anodised for increased corrosion resistance

Adjustable legs to allow for an increased radius

Standard 65mm kingpin to ensure Compatibility with REID's **davit range**.

Engineered designs and bespoke sections reduce weight, providing lightweight portability

Swivel castors for increased portability



The **PORTABASE** Counterbalance has been expertly engineered to be fully compatible with our davit range, providing maximum flexibility where the installation or use of a fixed socket is not possible. The product is quick and easy to set up with no tools required. A five piece, portable system which can be easily broken down for transportation.

The **PORTABASE** Counterbalance enables our Davit products to be used for lifting goods up to 600kg, as well as providing an anchor point for personnel lifting and fall arrest scenarios, including confined space entry and egress and working at height.

Key features

- EN795:2012 Certified
- Can support goods and personnel lifting;
 - Goods WLL of up to 600kg
 - Personnel WLL of up to 300kg
- Breaks down in to 5 components for ease of transportation and stowage
- Designed for ease of assembly using pins, with no bolted sections or the need for tools
- Detachable legs and foldable basket for ease of transportation
- Levelling feet designed to support the system to function correctly on uneven ground
- Integrated swivel castors, as standard
- Compatible with the use of **TDAVIT**, **PORTADAVIT^{QUANTUM}** or **PORTX^{DAVIT}**
- Clean, anodised finish for increased corrosion resistance
- Uses 20kg hand weights for the basket, reducing manual handling risks
- Engineered designs and bespoke sections reduce weight, providing lightweight portability

Configurations

Height adjustable feet can be fitted to the **PORTABASE** Counterbalance basket, providing an adjustment of 230mm. For more information contact REID.



**600KG
WLL**



**1-2 PERSON
ASSEMBLY**



**5 MANAGEABLE
COMPONENTS**



**EN795
CERTIFIED**

➤ Features & Performance

COUNTERBALANCE

Accreditations, Certifications & Standards

EN795:2012	✓
ANSI Z359.18-17	✓
ATEX Certified [Zone 2]	Optional
IRATA	✓

Capacity

Maximum Goods Lifting [kg]	600
Maximum Personnel Lifting [kg]	300
Fall Arrest [Persons]	1
Maximum Radius [mm]	1000

Dimensions

Minimum Base Width [mm]	2320
Maximum Base Width [mm]	2720
Minimum Base Height [mm]	240
Maximum Base Height [mm]	332
Overall Length [mm]	2415

Compatible Products

Porta Davit Quantum [Restricted]	✓
T Davit [Shackled]	✓
T Davit [Winched]	✓
T Davit [Double Winched]	✓
PortX Davit	✓

Standard Features

Levelling Feet	✓
Individual Component Weight < 25kg	✓
No Tools Required	✓
Swivel Castors	✓

Finishes

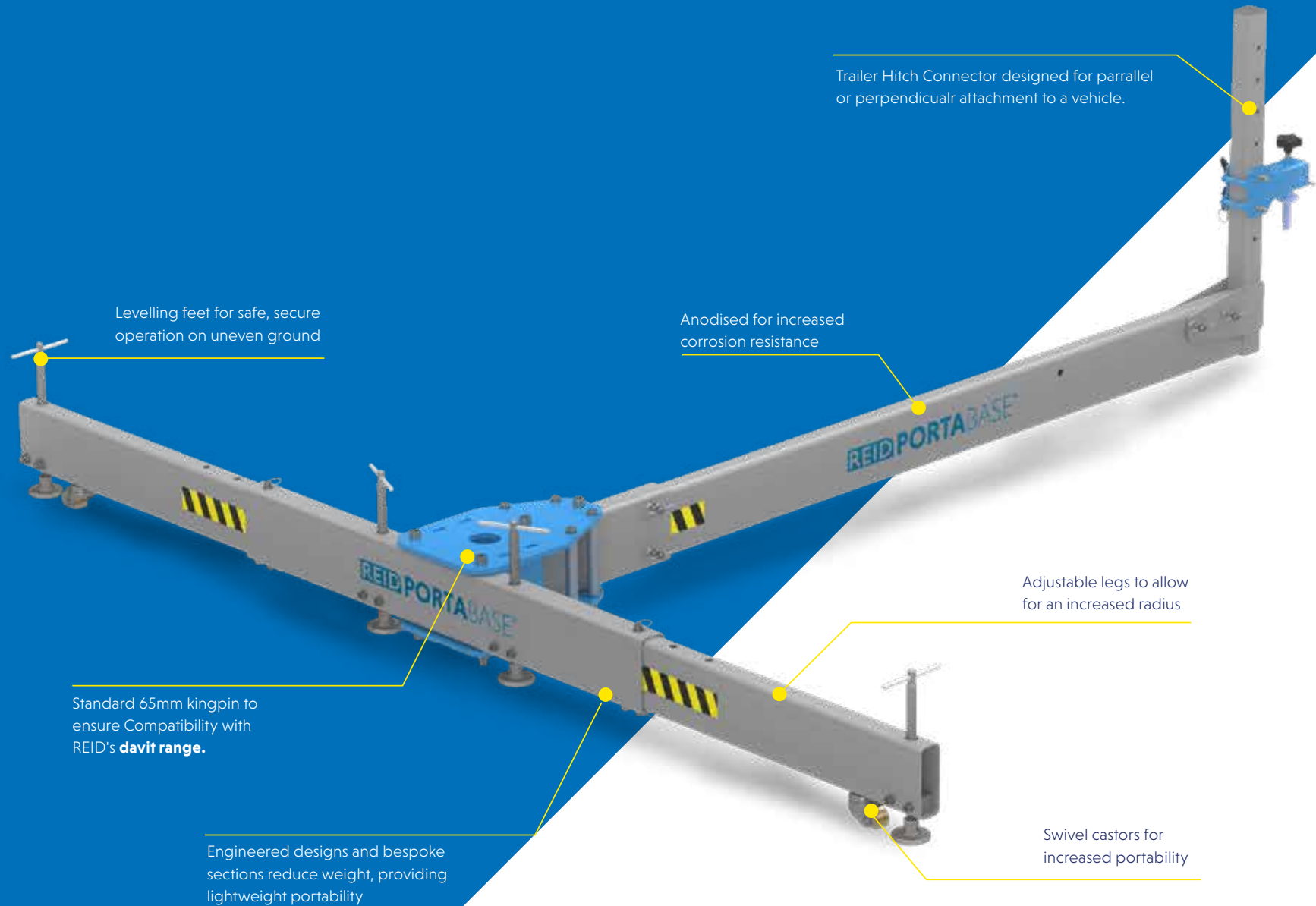
Anodised / Powder Coated	✓
316SS Fixings	Optional
Marine Spec	Optional

Dimensions in the table are approximate values. For more accurate details please refer to the Dimension Table.

All line items marked with a '✓' come as standard. All line items marked with a 'X' are not available.

All line items marked with 'optional' are available as an option and may incur additional costs.

▶ PORTABASE® Trailer Hitch



Trailer Hitch Connector designed for parrallel or perpendicular attachment to a vehicle.

Levelling feet for safe, secure operation on uneven ground

Anodised for increased corrosion resistance

Adjustable legs to allow for an increased radius

Standard 65mm kingpin to ensure Compatibility with REID's **davit range**.

Engineered designs and bespoke sections reduce weight, providing lightweight portability

Swivel castors for increased portability

The **PORTABASE**® Trailer Hitch has been expertly engineered to be fully compatible with our davit range, providing maximum flexibility where the installation or use of a fixed socket is not possible. Is a portable system which can be easily broken down for transportation. The product is quick and easy to set up with no tools required.

This system has been designed to attach to a vehicle with a tow bar such as a Van or Truck. When in use with our Davits, it can be used for lifting goods up to 450kg as well as providing an anchor point for entry and egress for confined space tasks.

Key features

- EN795:2012 Certified
- Can support goods and personnel lifting;
 - Goods WLL of up to 450kg
 - Personnel WLL of up to 225kg
- Breaks down in to 6 components for ease of transportation and stowage
- Incredibly lightweight structure with full system weighing 45kg
- Designed for ease of assembly using pins, with no bolted sections or the need for tools
- Levelling feet designed to support the system to function correctly on uneven ground
- Integrated swivel castors, as standard
- Compatible with the use of **T**DAVIT, **PORTA**DAVIT^{QUANTUM} or **PORTX** DAVIT
- Easy connection to a van or truck weighing 2000kg
- Can be connected parallel or perpendicular to the vehicle
- Clean, anodised finish for increased corrosion resistance
- Engineered designs and bespoke sections reduce weight, providing lightweight portability

Configurations

If you have already own a **PORTABASE** Counterbalance, the Trailer Hitch Connector can be bought separately [please contact REID for further information].



**450KG
WLL**



**1 PERSON
ASSEMBLY**



**6 COMPONENTS
AT 45KG**



**EN795
CERTIFIED**

➤ Features & Performance

COUNTERBALANCE TRAILER HITCH

Accreditations, Certifications & Standards

EN795:2012	✓
ANSI Z359.18-17	✓
ATEX Certified [Zone 2]	Optional
IRATA	✓

Capacity

Maximum Goods Lifting [kg]	450
Maximum Personnel Lifting [kg]	225
Fall Arrest [Persons]	1
Maximum Radius [mm]	1000

Dimensions

Minimum Base Width [mm]	2320
Maximum Base Width [mm]	2720
Minimum Base Height [mm]	240
Maximum Base Height [mm]	332
Overall Length [mm]	2620

Compatible Products

Porta Davit Quantum [Restricted]	✓
T Davit [Shackled]	✓
T Davit [Winched]	✓
T Davit [Double Winched]	✓
PortX Davit	✓

Features

Levelling Feet	✓
Individual Component Weight < 25kg	✓
No Tools Required	✓
Swivel Castors	✓

Finishes

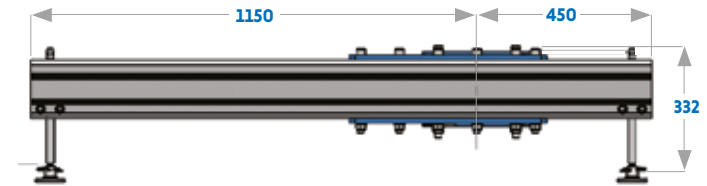
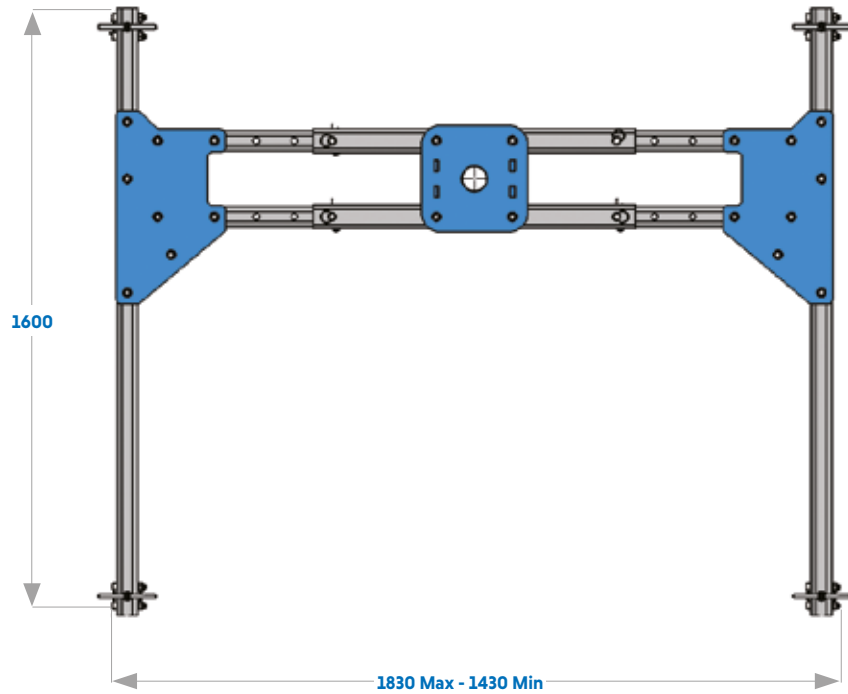
Anodised / Powder Coated	✓
316SS Fixings	Optional
Marine Spec	Optional

Dimensions in the table are approximate values. For more accurate details please refer to the Dimension Table.

All line items marked with a '✓' come as standard. All line items marked with a 'X' are not available.

All line items marked with 'optional' are available as an option and may incur additional costs.

PORTABASE® H Base

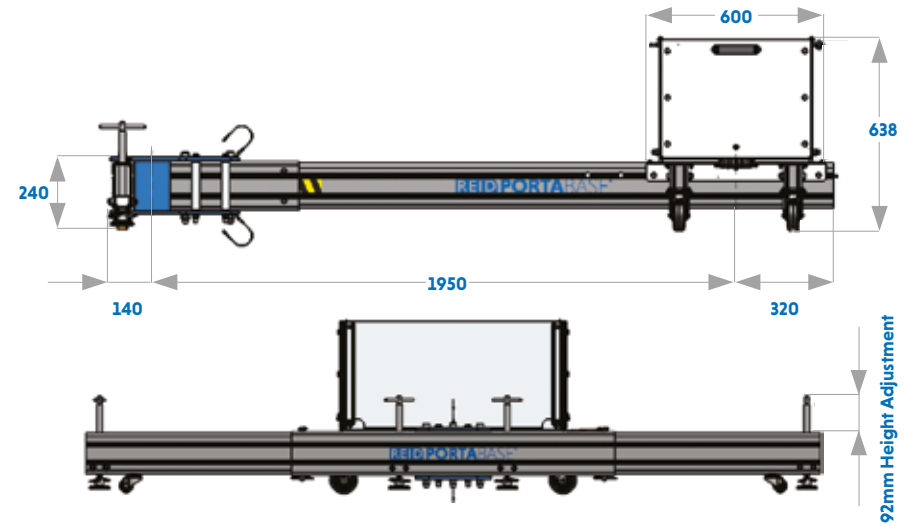
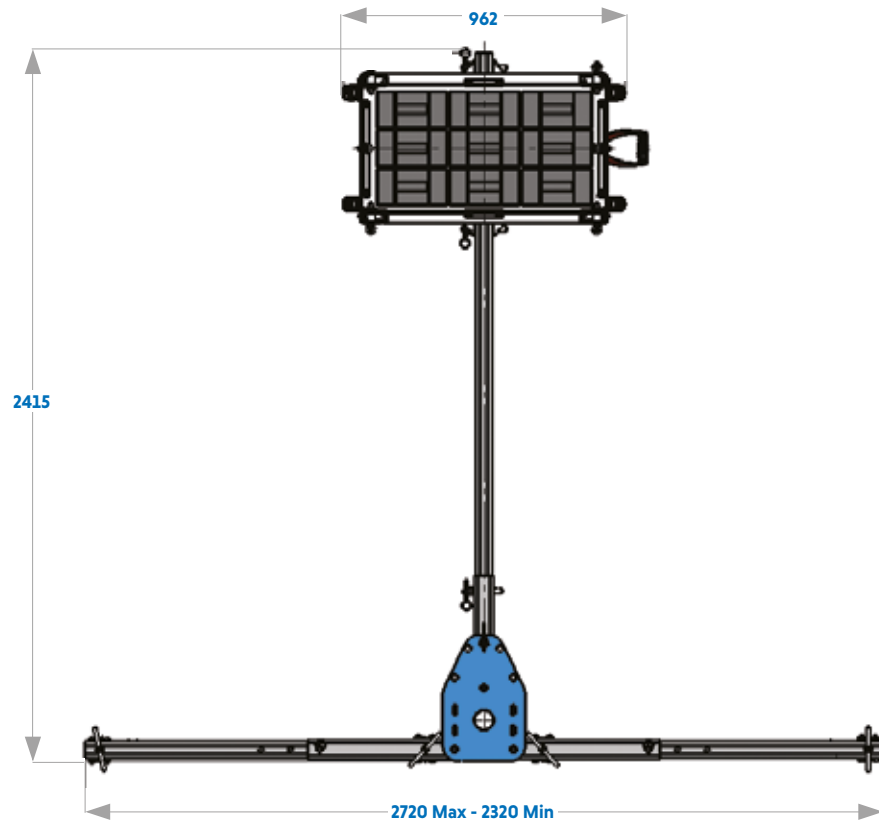


Product Code	Description
PBHB00001	PORTABASE H Base Standard - Max 800mm Radius

Dimensions

Component	Weight [kg]
Central Hub	18.5kg
Leg Assembly [Each]	22.5kg
Total Weight	63.5kg

PORTABASE® Counterbalance



Dimensions

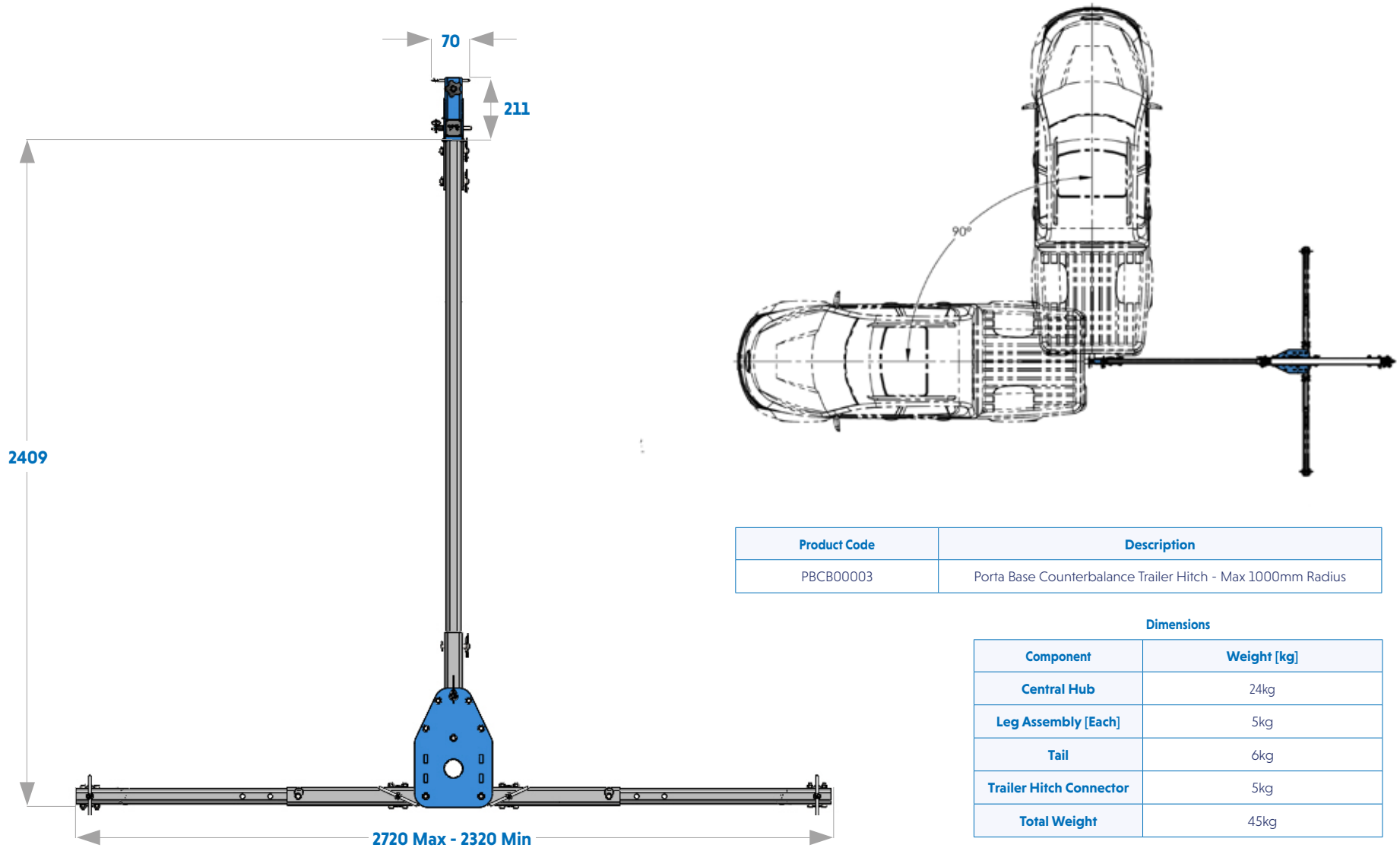
Component	Weight [kg]
Central Hub	24kg
Leg Assembly [Each]	5kg
Tail	6kg
Basket [Empty]	38kg
Total Weight	78kg

Product Code	Description
PBCB00001	PORTABASE Counterbalance Standard - Max 1000mm Radius
RAHW00001	Hand Weight [1 x 20kg]
RAHW00003	360kg Hand Weight Set [18 x 20kg]
RAHW00004	540kg Hand Weight Set [27 x 20kg]
RAPBCB0001	Porta Base Counterbalance Basket Height Adjustment Kit



A height adjustment kit can be fitted to the basket, providing an adjustment of 230mm.

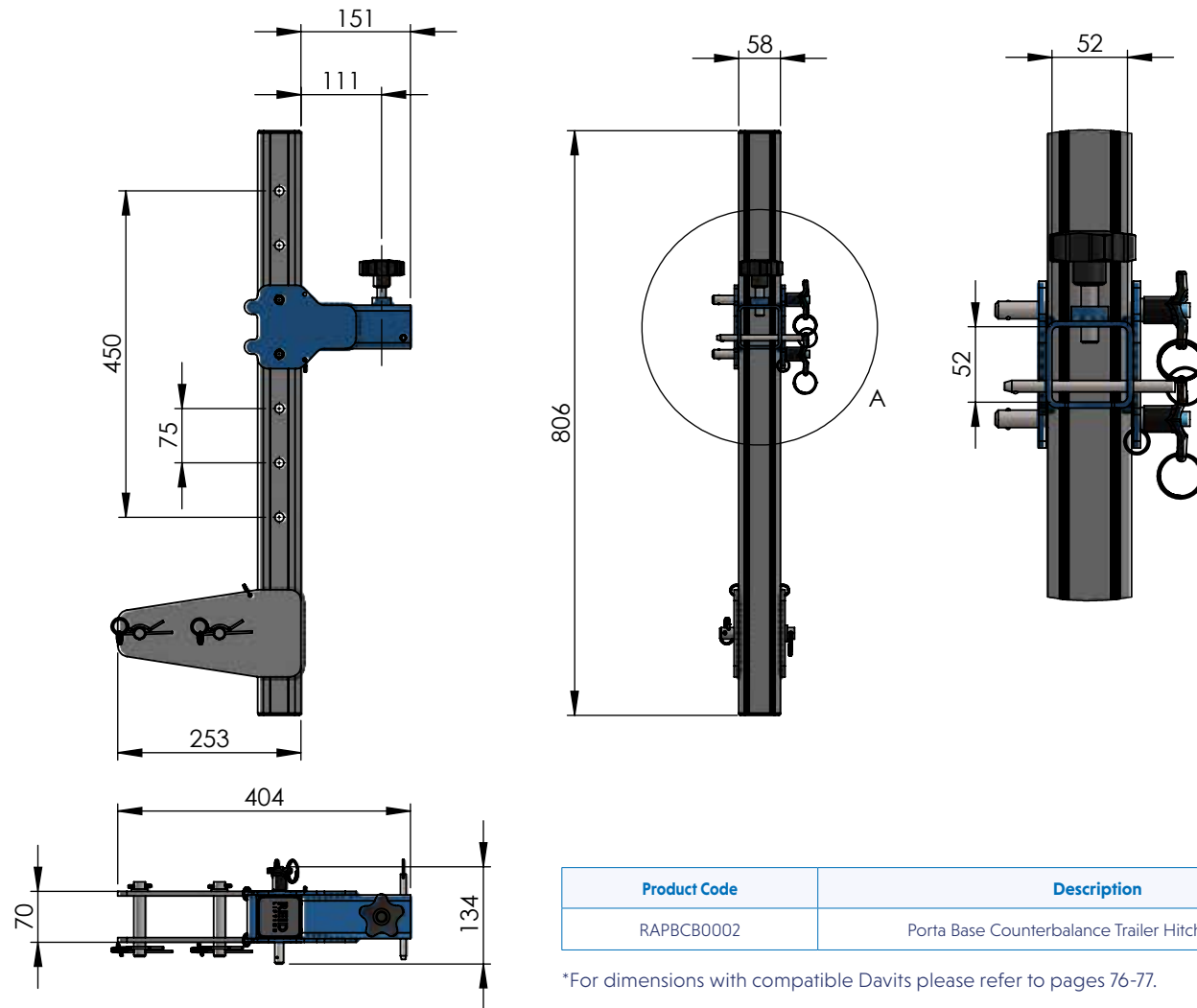
PORTABASE® Counterbalance Trailer Hitch



Product Code	Description
PBCB00003	Porta Base Counterbalance Trailer Hitch - Max 1000mm Radius

Dimensions	
Component	Weight [kg]
Central Hub	24kg
Leg Assembly [Each]	5kg
Tail	6kg
Trailer Hitch Connector	5kg
Total Weight	45kg

PORTABASE® Counterbalance Trailer Hitch Connector

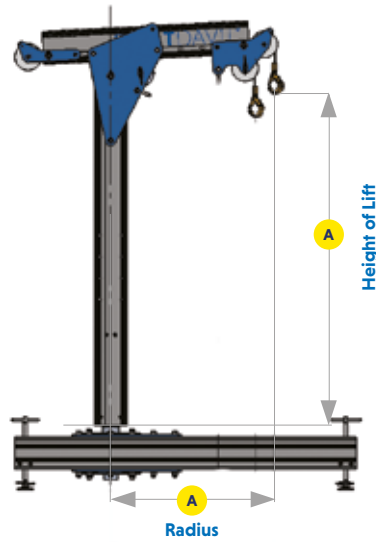


Product Code	Description
RAPBCB0002	Porta Base Counterbalance Trailer Hitch Connector

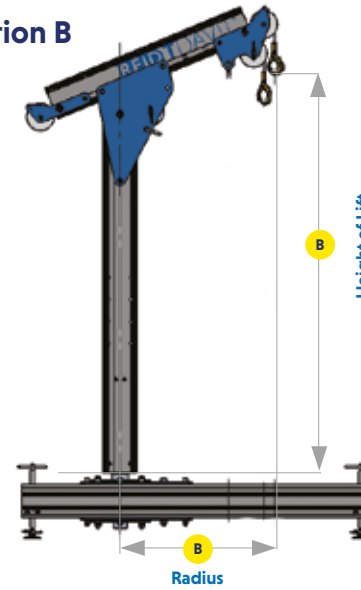
*For dimensions with compatible Davits please refer to pages 76-77.

PORTABASE® H Base | TDAVIT® Double Winched

Position A



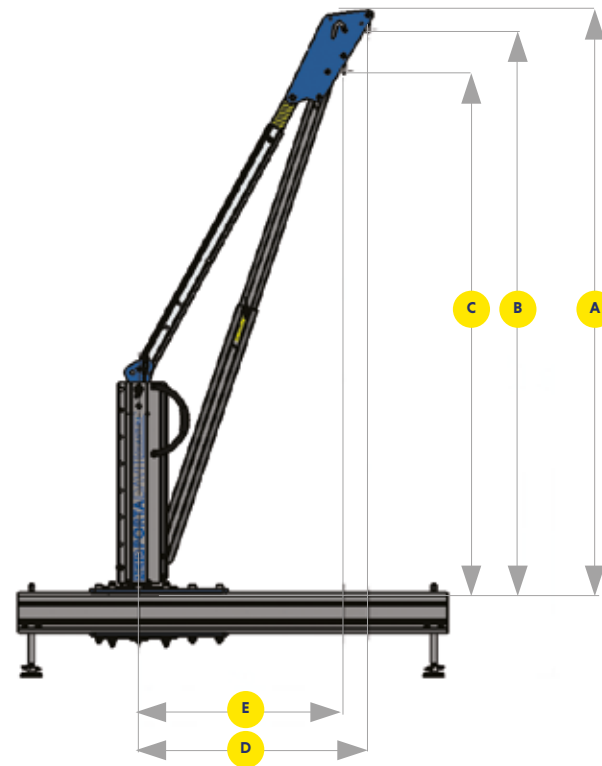
Position B



PRODUCT CODE	HEIGHT OF LIFT (HOL) (MM)		RADIUS (MM)		WLL			WEIGHT (KG)
	Position A	Position B	Position A	Position B	Goods [kg]	Personnel [kg]	Fall Arrest	
TDDWA3A0	1290	1540	800	740	600	300	1 person	34
TDDWA4A0	1605	1855	800	740	600	300	1 person	36
TDDWA5A0	1915	2165	800	740	600	300	1 person	39

PORTABASE® H Base | PORTADAVIT QUANTUM®

- A** Overall height
- B** Height to outer shackle
- C** Height to inner shackle
- D** Radius to outer shackle
- E** Radius to inner shackle

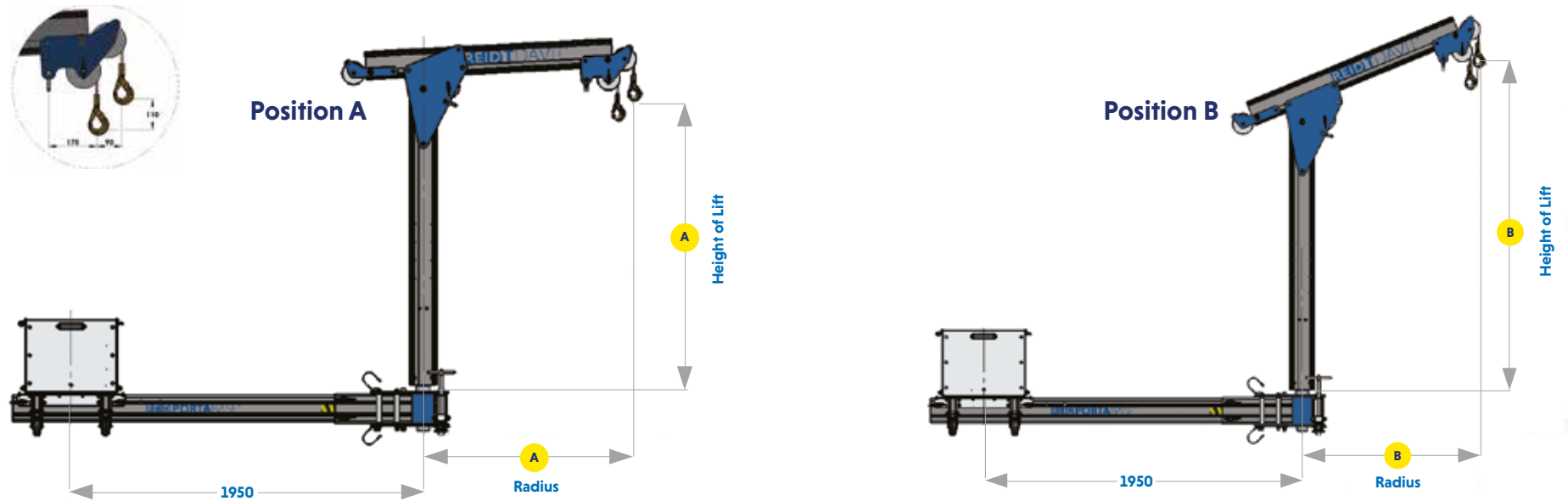


DIMENSIONS (MM)

PRODUCT CODE	GOODS WLL (KG)	PERSONNEL WLL (KG)	FALL ARREST	RADIUS ADJUSTMENT POINTS	A	B	C	D*	E*
PDQR	600	300	1 person	1	2150	2078	1928	800	700

*Radii achieved at ≈ 75% WLL

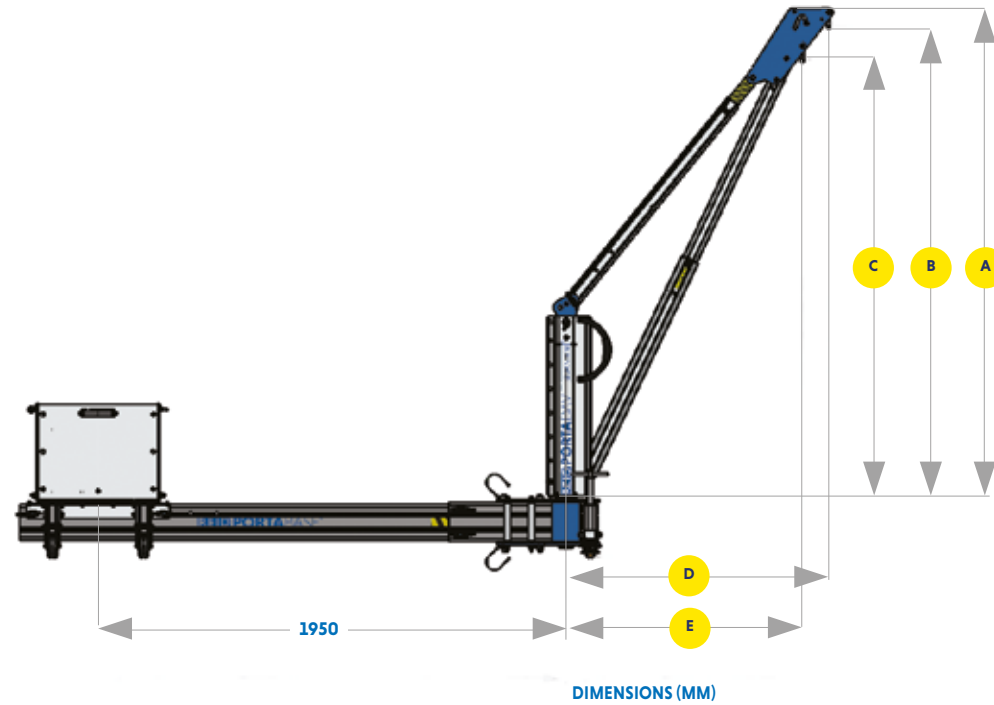
PORTABASE® Counterbalance | TDAVIT® Double Winched



PRODUCT CODE	HEIGHT OF LIFT (HOL) (MM)		RADIUS (MM)		WLL			WEIGHT (KG)
	Position A	Position B	Position A	Position B	Goods [kg]	Personnel [kg]	Fall Arrest	
TDDWA3A0	1290	1540	800	740	600	300	1 person	34
TDDWA3A1	1300	1615	1000	925	500	250	1 person	35
TDDWA4A0	1605	1855	800	740	600	300	1 person	36
TDDWA4A1	1615	1930	1000	925	500	250	1 person	37
TDDWA5A0	1915	2165	800	740	600	300	1 person	39
TDDWA5A1	1925	2240	1000	925	500	250	1 person	40

PORTABASE® Counterbalance | PORTADAVIT^{QUANTUM}

- A** Overall height
- B** Height to outer shackle
- C** Height to inner shackle
- D** Radius to outer shackle
- E** Radius to inner shackle



PRODUCT CODE	GOODS WLL (KG)	PERSONNEL WLL (KG)	FALL ARREST	A	B	C	D*	E*
PDQRW	600	300	1 person	2150	2078	1928	800	700

*Radii achieved at ≈ 75% WLL

> SOCKETS & EXTENSIONS

We manufacture a range of standard sockets, socket extensions and pedestals that are fully compatible with our davit range which can be used for goods lifting, personnel lifting and in many cases fall protection applications. They are also suitable for a variety of structures [subject to engineer approval]. Available in aluminium, galvanised steel and stainless steel. We can also manufacture customised sockets and pedestals on request. Our socket extensions are designed to provide additional height of reach over obstacles, protective rails or walls.



> Sockets

Our sockets are fully compatible with our davit range and are suitable for a variety of structures. Available in aluminium, galvanised steel and stainless steel.

We offer sockets with two kingpin diameter sizes [65mm and 95mm] to fit our range of davits.

Our socket options includes:

- > **Top Mount**
- > **Side Mount**
- > **Bridge Mount**
- > **Flush Mount**

We can also offer customised sockets, which are bespoke made and developed for non-typical installations. To discuss your requirements with us, contact us on enquiries@reidlifting.com.

Sockets



Flush Mount



Bridge Mount



Side Mount



Top Mount

Height of Lift:
+264mm

Our sockets are part of a fall protection and personnel lifting system, which includes a REID Lifting Davit. Only sockets manufactured by REID Lifting may be used with our Davit's. Failure to use REID sockets will invalidate any product certification and warranty and exposes the user to unnecessary and unwarranted risk. Before fixing always consult a structural engineer to confirm suitability for the loads that will be imposed during use, allowing for the required safety factors.

> Pedestals

Our pedestal sockets are similar to top mount sockets and are manufactured from lightweight aluminium. Our pedestals are designed to provide additional lift height or reach over obstacles, protective rails or walls.

We offer pedestals which are suitable for use with our 65mm kingpin davit range.

Our pedestals are available in three standard sizes:

- > 500mm
- > 800mm
- > 1100mm

They can also be customised to meet our customers' specific requirements. To discuss your requirements with us, contact us on enquiries@reidlifting.com.

> Socket Extensions

Our socket extensions are designed to provide additional lift height or reach over obstacles, protective rails or walls for 65mm socket/kingpin davits. Made from lightweight aluminium alloy, with handles for lifting and carrying, they're designed to be easy to use. Simply insert them into the existing socket and assemble a standard davit, as normal, using the extension as its socket.

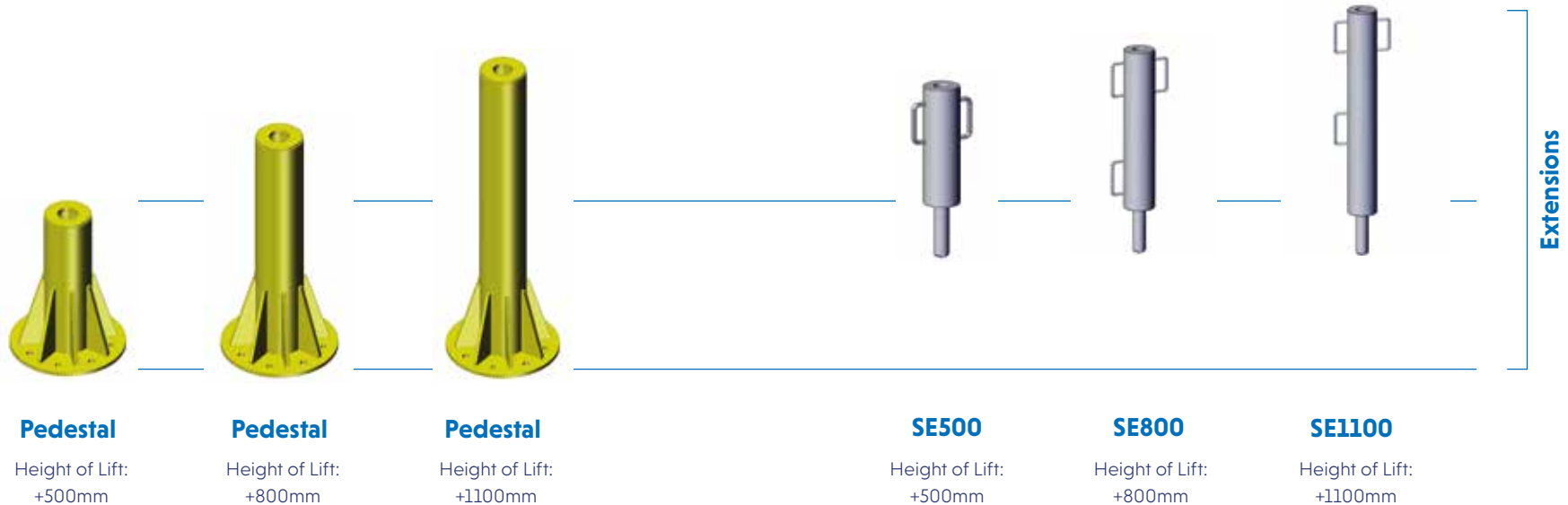
Our socket extensions are available in three standard sizes:

- > 500mm
- > 800mm
- > 1100mm

They can also be customised to meet our customers' specific requirements.

*When fixing sockets to structures, customers must always seek the guidance of a suitably qualified engineer to ensure that the structure is able to support the required loads.

** Socket extensions are only suitable to be used with our socket range and cannot be used with a pedestal. For further information please contact your REID representative.



Disclaimer: All REID sockets & extensions have been designed, developed and tested for safe use with REID's equipment and form a key part of the integrity of the total system. Should non-standard third party sockets be used, REID Lifting's Declaration of Conformity & Incorporation on the products is negated. i.e. The system becomes the responsibility of the client.

› Top Mount Socket



- › Suitable for use with our full davit range
- › EN795:2012 certified and meets requirements of IRATA ICOP
- › Galvanised Steel Top Mount[STMG0500V2] meets requirements of BS8610:2017
- › Secured using 4nr. M16 anchors [not supplied]
- › Suitable for bolting into existing concrete, steel structures or through fixing in other substrates
- › Comes complete with cover

Product Code	Description	Material	Weight [kg]	Diameter [mm]
STMG0500V2	Socket Top Mount 65 GMS	Galvanised Steel	13	65
STMS0500V2	Socket Top Mount 65 316SS	Stainless Steel	17	65
STMA0500	Socket Top Mount 65 Aluminium Anodised	Aluminium	9	65
STMG1000	Socket Top Mount 95 GMS	Galvanised Steel	29	95
STMS1000	Socket Top Mount 95 316SS	Stainless Steel	30	95

› Bridge Mount Socket



- › Suitable for use with 65mm REID davits
- › EN795:2012 certified and meets requirements of IRATA ICOP
- › Secured using 4nr. M16 anchors [not supplied]
- › Suitable for bolting into steel structures
- › Designed to fit open mesh grating or flush with structural steel work

Product Code	Description	Material	Weight [kg]	Diameter [mm]
SBMG0500	Socket Bridge Mount 65 GMS	Galvanised Steel	19	65
SBMS0500	Socket Bridge Mount 65 316SS	Stainless Steel	19	65
SBMA0500	Socket Bridge Mount 65 Aluminium Anodised	Aluminium	7	65

› Side Mount Socket



- › Suitable for use with our full davit range
- › EN795:2012 certified and meets requirements of IRATA ICOP
- › Galvanised Steel Side Mount[SSMG0500V2] meets requirements of BS8610:2017
- › Secured using 4nr. M16 anchors [not supplied]
- › Suitable for mounting on the side of concrete or steel structures
- › A brace plate can be supplied for thin-walled concrete

Product Code	Description	Material	Weight [kg]	Diameter [mm]
SSMG0500V2	Socket Side Mount 65 GMS	Galvanised Steel	13	65
SSMS0500V2	Socket Side Mount 65 316SS	Stainless Steel	17	65
SSMA0500	Socket Side Mount 65 Aluminium Anodised	Aluminium	6	65
SSMG1000	Socket Side Mount 95 GMS	Galvanised Steel	30	95
SSMS1000	Socket Side Mount 95 316SS	Stainless Steel	29	95

› Flush Mount Socket



- › Suitable for use with our full davit range
- › EN795:2012 certified and meets requirements of IRATA ICOP
- › Suitable for resin fixing into existing concrete
- › Complete with cover and re-bars, for casting into concrete

Product Code	Description	Material	Weight [kg]	Diameter [mm]
SFMG0500	Socket Flush Mount 65 GMS	Galvanised Steel	5	65
SFMS0500	Socket Flush Mount 65 316SS	Stainless Steel	4	65
SFRG0500	Socket Flush Mount Resin Bond 65 GMS	Galvanised Steel	5	65
SFRS0500	Socket Flush Mount Resin Bond 65 316SS	Stainless Steel	4	65
SFMG1000	Socket Flush Mount 95 GMS	Galvanised Steel	9.5	95
SFMS1000	Socket Flush Mount 95 316SS	Stainless Steel	9.5	95
SFRG1000	Socket Flush Mount 95 Resin Bond GMS	Galvanised Steel	9.5	95
SFRS1000	Socket Flush Mount 95 Resin Bond 316SS	Stainless Steel	9.5	95

> Socket Extensions



- > Can be used with 65mm REID davits combined with 65mm fixed sockets
- > EN795:2012 certified up to 1600mm radius
- > Integrated carry handles
- > Safe use features
- > Maintenance free
- > Manual handling compliant

Product Code	Description	Material	Weight [kg]	Height [mm]
SE0500-0500	Socket Extension 500	Aluminium	12	500
SE0500-0800	Socket Extension 800	Aluminium	15	800
SE0500-1100	Socket Extension 1100	Aluminium	17	1100

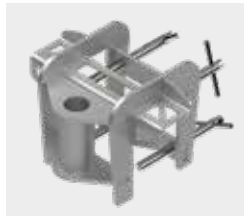
> Socket Pedestals



- > Suitable for use with 65mm REID davits
- > EN795:2012 Certified up to 1600mm radius
- > Secured using 4nr. M16 or M20 anchors [not supplied]
- > Meets requirements of IRATA ICOP up to 1200mm radius
- > Safe use features
- > Maintenance free
- > Manual handling compliant

Product Code	Description	Material	Weight [kg]	Height [mm]
SP0500-0500	Socket Pedestal 65 500mm	Aluminium	17	500
SP0500-0800	Socket Pedestal 65 800mm	Aluminium	19	800
SP0500-1100	Socket Pedestal 65 1100mm	Aluminium	19	1100

> PORTX[®] Saddle Mount Socket



- > EN795:2012 Type B certified
- > Suitable for use with Davits up to a radius of 1200mm
- > Fall arrest capacity – 1 user
- > Personnel capacity up to 150kg*
- > Goods capacity up to 300kg*
- > Galvanised steel construction
- > Designed for use in trenching and shoring applications subject to structural validation

*Dependant on Davit Operational Arc [See Assembly & Operation Guide for further information]

Product Code	Description	Material	Weight [kg]	Diameter [mm]
PTXTM0-160	PortX Saddle Mount - Max 1200mm Radius	Galvanised Steel	23	65

* For detailed product drawings see our socket product overview.



> Customisation

At REID Lifting, we understand the uniquely challenging lifting requirements our clients are faced with which is why we offer a range of customised solutions to ensure that their operational objectives are met, effectively and safely.

From custom designed gantries and davits through to sockets and accessories, our highly experienced team of engineers can support in the design and development of bespoke solutions for niche applications.



> Extended range

Alongside the products highlighted in this brochure, we also offer a wider range of products, from an extensive **PORTAGANTRY** range through to variant models of the popular **TDAVIT**.

For more information about our extended range and customised solutions, please contact REID Lifting representative or email enquiries@reidlifting.com



A series of 16 horizontal blue lines spaced evenly down the page, providing a writing area.





> Contact Us



All information herein is copyright protected by REID Lifting Ltd. All company and product names are Trade Mark and Trade Name protected and all REID Product IPR is protected under Patents, Patents Pending and/or Design Rights.

 Printed using environment friendly processes and materials.